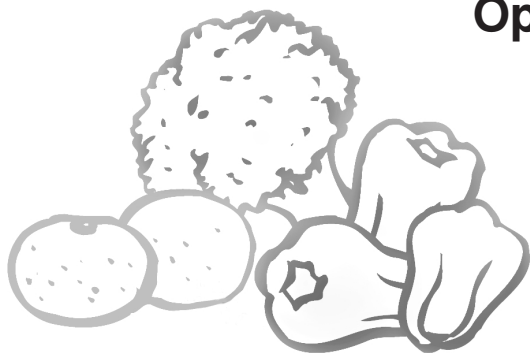


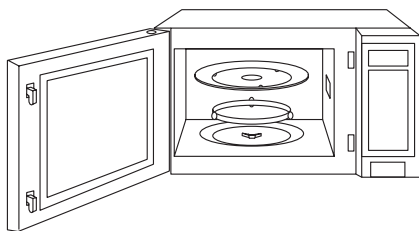


Panasonic®

Operating Instructions Microwave Oven



**Models: NN-S744/S924/
S934/S944**



Safety Information

Precautions.....	Inside cover
Important Safety Instructions	1-3
Installation and Grounding	
Instructions	3-4
Safety Precautions	5-6

Operation

Control Panel.....	8-9
Starting to Use Your Oven.....	10
Setting the Clock	10
Child Safety Lock	10
Selecting Power & Cook Time.....	11
Quick Min Feature	11
Popcorn Feature	12
More/Less Feature	13
Inverter Turbo Defrost Feature.....	14
Defrosting Tips & Techniques.....	14-15
Auto Reheat Feature	16
Auto Cook Feature	16
Auto Cook Chart.....	17
Microwave Recipes	18

Operation

Timer Feature (Kitchen Timer/Stand Time/Delay Start).....	19
Microwave Shortcuts	20-21
Food Characteristics.....	22
Cooking Techniques	22-23
Quick Guide to Operation.....	27

Maintenance

Care and Cleaning of Your Microwave Oven	24
Accessory Purchases	24
Before Requesting Service.....	25
Limited Warranty & Customer Service Directory	26

General Information

Cookware Guide.....	7
Oven Components Diagram.....	8
Specifications	28
User's Record.....	28

READ ALL INSTRUCTIONS CAREFULLY BEFORE USING THE OVEN.
Para instrucciones en español, voltee el libro.

For assistance, please call: 1-800-211-PANA(7262)
or send e-mail to: consumerproducts@panasonic.com
or visit us at www.panasonic.com

(U.S.A)

For assistance, please call: 787-750-4300
or visit us at www.panasonicpr.com

(Puerto Rico)

F00036J60AP
FLE0204-0
Printed in China

Microwave Oven Safety

Your safety and the safety of others are very important.

We have provided important safety messages in this manual and on your appliance. Always read and obey all safety messages.



This is the safety alert symbol. It is used to alert you to potential hazards that can kill or hurt you and others.

All safety messages will follow the safety alert symbol and either the word "DANGER", "WARNING" or "CAUTION". These words mean:

 **DANGER**

You can be killed or seriously injured if you don't immediately follow instructions.

 **WARNING**

You can be killed or seriously injured if you don't follow instructions.

 **CAUTION**

CAUTION indicates a potentially hazardous situation which, if not avoided, may result in minor or moderate injury.

All safety messages will tell you what the potential hazard is, tell you how to reduce the chance of injury, and tell you what can happen if the instructions are not followed.



PRECAUTIONS TO AVOID POSSIBLE EXPOSURE TO EXCESSIVE MICROWAVE ENERGY

- (a) Do not attempt to operate this oven with the door open since open-door operation can result in harmful exposure to microwave energy. It is important not to defeat or tamper with the safety interlocks.
- (b) Do not place any object between the oven front face and the door or allow soil or cleaner residue to accumulate on sealing surfaces.
- (c) Do not operate the oven if it is damaged. It is particularly important that the oven door close properly and that there is no damage to the:
 - (1) door (bent),
 - (2) hinges and latches (broken or loosened),
 - (3) door seals and sealing surfaces.
- (d) The oven should not be adjusted or repaired by anyone except properly qualified service personnel.

Thank you for purchasing a Panasonic Microwave Oven.

Your microwave oven is a cooking appliance and you should use as much care as you use with a stove or any other cooking appliance. When using this electric appliance, basic safety precautions should be followed, including the following:

IMPORTANT SAFETY INSTRUCTIONS

WARNING

—To reduce the risk of burns, electric

shock, fire, injury to persons, or exposure to excessive microwave energy:

1. Read all instructions before using this appliance.
2. Read and follow the specific “PRECAUTIONS TO AVOID POSSIBLE EXPOSURE TO EXCESSIVE MICROWAVE ENERGY,” found on the inside front cover.
3. This appliance must be grounded. Connect only to a properly grounded outlet. See “GROUNDING INSTRUCTIONS” found on page 4.
4. As with any cooking appliance, **DO NOT** leave oven unattended while in use.
5. Install or locate this appliance only in accordance with the installation instructions found on page 3.
6. **DO NOT** cover or block any openings on this appliance.
7. **DO NOT** store this appliance outdoors. **DO NOT** use this product near water—for example, near a kitchen sink, in a wet basement, or near a swimming pool or similar locations.
8. Use this appliance only for its intended use as described in this manual. **DO NOT** use corrosive chemicals, vapors, or non-food products in this appliance. This type of oven is specifically designed to heat, or cook food. It is not designed for industrial or laboratory use. The use of corrosive chemicals in heating or cleaning will damage the appliance and may result in radiation leaks.
9. When cleaning surfaces of the door and oven that come together on closing the door, use only mild, non-abrasive soaps or detergents applied with a sponge or soft cloth.
10. **DO NOT** allow children to use this appliance, unless closely supervised by an adult. **DO NOT** assume that because a child has mastered one cooking skill he/she can cook everything.
11. **DO NOT** operate this appliance if it has a damaged cord or plug, if it is not working properly, or if it has been damaged or dropped.
12. **DO NOT** immerse cord or plug in water.
13. Keep cord away from heated surfaces.
14. **DO NOT** let cord hang over edge of a table or counter.
15. This appliance should be serviced only by qualified service personnel. Contact the nearest authorized service center for examination, repair or adjustment.
16. Some products such as whole eggs with or without shell, narrow neck bottles and sealed containers—for example, closed glass jars—may explode and should not be heated in this oven.
17. To reduce the risk of fire in the oven cavity:
 - (a) Do not overcook food. Carefully attend appliance when paper, plastic, or other combustible materials are placed inside the oven to facilitate cooking.
 - (b) Remove wire twist-ties from paper or plastic bags before placing bag in oven.
 - (c) **If material inside the oven ignites, keep oven door closed, turn oven off, and disconnect the power cord, or shut off power at the fuse or circuit breaker panel.**
 - (d) **DO NOT** use the cavity for storage purposes. **DO NOT** leave paper products, cooking utensils or food in the cavity when not in use.



IMPORTANT SAFETY INSTRUCTIONS

(continued)

18. Liquids, such as water, coffee, or tea are able to be overheated beyond the boiling point without appearing to be boiling. Visible bubbling when the container is removed from the microwave oven is not always present. **THIS COULD RESULT IN VERY HOT LIQUIDS SUDDENLY BOILING OVER WHEN THE CONTAINER IS DISTURBED OR A UTENSIL IS INSERTED INTO THE LIQUID.**

To reduce the risk of injury to persons:

- (a) **STIR THE LIQUID BOTH BEFORE AND HALFWAY THROUGH HEATING IT.**
 - (b) **Do not heat water and oil, or fats together. The film of oil will trap steam, and may cause a violent eruption.**
 - (c) Do not use straight-sided containers with narrow necks.
 - (d) After heating, allow the container to stand in the microwave oven for a short time before removing the container.
19. **DO NOT** cook directly on the turntable. It can crack, cause injury or damage to the oven.

! WARNING

TO AVOID THE RISK OF SHOCK:

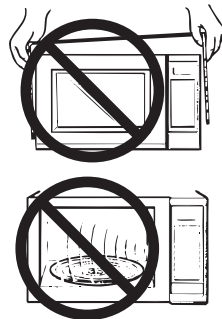
DO NOT remove outer panel from oven. Repairs must be done only by a qualified service person.

TO REDUCE THE RISK OF EXPOSURE TO MICROWAVE ENERGY:

DO NOT tamper with, or make any adjustments or repairs to Door, Control Panel Frame, Safety Interlock Switches, or any other part of oven, microwave leakage may result.

TO AVOID THE RISK OF FIRE:

1. **DO NOT** operate the oven empty. The microwave energy will reflect continuously throughout the oven causing overheating and damage, if food or water is not present to absorb energy.
2. **DO NOT** store flammable materials next to, on top of, or in the oven.
3. **DO NOT** dry clothes, newspapers or other materials in the oven, or use newspaper or paper bags for cooking.
4. **DO NOT** hit or strike Control Panel. Damage to controls may occur.
5. **DO NOT** use recycled paper products unless the paper product is labeled as safe for microwave oven use. Recycled paper products may contain impurities which may cause sparking.



TO AVOID THE RISK OF SCALDING:

POT HOLDERS should always be used when removing items from the oven. Heat is transferred from the **HOT** food to the cooking container and from the container to the Glass Tray. The Glass Tray can also be very **HOT** after removing the cooking container from the oven.

SAVE THESE INSTRUCTIONS

For proper use of your oven read remaining safety cautions and operating instructions.



IMPORTANT SAFETY INSTRUCTIONS

(continued)

Glass Tray

1. **DO NOT** operate the oven without the Roller Ring and the Glass Tray in place.
2. **DO NOT** operate the oven without the Glass Tray fully engaged on the drive hub. Improper cooking or damage to the oven could result. Verify that the Glass Tray is properly engaged and rotating by observing its rotation when you press Start. **Note:** The Glass Tray can turn in either direction.
3. Use only the Glass Tray specifically designed for this oven. **DO NOT** substitute any other glass tray.
4. If the Glass Tray is hot, allow to cool before cleaning or placing in water.
5. **DO NOT** cook directly on the Glass Tray. Always place food in a microwave safe dish, or on a rack set in a microwave safe dish.
6. If food or utensil on the Glass Tray touches oven walls, causing the tray to stop moving, the tray will automatically rotate in the opposite direction.

Roller Ring

1. The Roller Ring and oven floor should be cleaned frequently to prevent excessive noise.
2. Always replace the Roller Ring and the Glass Tray in their proper positions.
3. The Roller Ring must always be used for cooking along with the Glass Tray.



INSTALLATION AND GROUNDING INSTRUCTIONS

Examine Your Oven

Unpack oven, remove all packing material and examine the oven for any damage such as dents, broken door latches or cracks in the door. Notify dealer immediately if oven is damaged. **DO NOT** install if oven is damaged.

Placement of Oven

1. The oven must be placed on a flat, stable surface. Place the front surface of the door three inches or more from the counter top edge to avoid accidental tipping of the microwave oven during normal use. For proper operation, the oven must have sufficient air flow. Allow 3-inches (7.6 cm) of space on both sides of the oven and 1-inch (2.5 cm) of space on top of the oven.
 - (a) **DO NOT** block air vents. If they are blocked during operation, the oven may be overheated and damaged.
 - (b) **DO NOT** place oven near a hot, damp surface such as a gas or electric range, or dishwasher.
 - (c) **DO NOT** operate oven when room humidity is excessive.
2. This oven is manufactured for counter top household use only. It is not intended for built-in operation and is not approved or tested for mobile vehicle, marine, or commercial use.

Installation

DO NOT block air vents. If they are blocked during operation, the oven may overheat. If the oven overheats, a thermal safety device will turn the oven off. The oven will remain inoperable until it has cooled.



INSTALLATION AND GROUNDING INSTRUCTIONS

(continued)

! WARNING

—IMPROPER USE OF THE GROUNDING PLUG CAN RESULT IN A RISK OF ELECTRIC SHOCK.

Consult a qualified electrician or service person if the grounding instructions are not completely understood, or if doubt exists as to whether the appliance is properly grounded. If it is necessary to use an extension cord, use only a three wire extension cord that has a three prong polarized grounding plug, and a three slot receptacle that will accept the plug on the appliance. The marked rating of the extension cord should be equal to or greater than the electrical rating of the appliance.

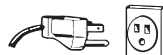
Grounding Instructions

THIS APPLIANCE MUST BE GROUNDED. In the event of an electrical short circuit, grounding reduces the risk of electric shock by providing an escape wire for the electric current. This appliance is equipped with a cord having a grounding wire with a grounding plug. The plug must be plugged into an outlet that is properly installed and grounded.

- **Plug into properly installed and grounded 3 prong outlet.**
- **DO NOT remove ground prong.**
- **DO NOT use an adapter.**

Power Supply

1. A short power-supply cord is provided to reduce the risks resulting from becoming entangled in or tripping over a longer cord.
2. Longer cord sets or extension cords are available and may be used if care is exercised in their use. **Do not** let cord hang over edge of a table or counter.
3. If a long cord or extension cord is used, (1) the marked electrical rating of the cord set or extension cord should be at least as great as the electrical rating of the appliance, (2) the extension cord must be a grounding-type 3-wire cord, and (3) the longer cord should be arranged so that it will not drape over the counter top or table-top where it can be pulled on by children or tripped over accidentally.



Wiring Requirements

The oven must be operated on a SEPARATE CIRCUIT. No other appliance should share the circuit with the microwave oven. If it does, the branch circuit fuse may blow or the circuit breaker may trip. The oven must be plugged into at least a 20 AMP, 120 VOLT, 60 Hz GROUNDED OUTLET. Where a standard two-prong outlet is encountered, it is the personal responsibility and obligation of the consumer to have it replaced with a properly grounded three-prong outlet. The VOLTAGE used must be the same as specified on this microwave oven (120 V, 60 Hz). Using a higher voltage is dangerous and may result in a fire or oven damage. Using a lower voltage will cause slow cooking. Panasonic is NOT responsible for any damages resulting from the use of the oven with any voltage other than specified.

TV / Radio Interference

1. Operation of the microwave oven may cause interference to your radio, TV or similar equipment.
2. When there is interference, it may be reduced or eliminated by taking the following measures:
 - (a) Place the radio, TV, etc. away from the microwave oven as far as possible.
 - (b) Use a properly installed antenna to obtain stronger signal reception.
 - (c) Clean door and sealing surfaces of the oven. (See Care and Cleaning of Your Microwave Oven)



Safety Precautions

Follow These Safety Precautions When Cooking in Your Oven.

IMPORTANT

Proper cooking depends upon the power, the time setting and quantity of food. If you use a smaller portion than recommended but cook at the time for the recommended portion, fire could result.

1) HOME CANNING / STERILIZING / DRYING FOODS / SMALL QUANTITIES OF FOODS

- **DO NOT** use your oven for home canning. Your oven cannot maintain the food at the proper canning temperature. The food may be contaminated and then spoil.
- **DO NOT** use the microwave oven to sterilize objects (baby bottles, etc.). It is difficult to keep the oven at the high temperature needed for sterilization.
- **DO NOT** dry meats, herbs, fruits or vegetables in your oven. Small quantities of food or foods with low moisture content can dry out, scorch or catch on fire if overheated.

2) POPCORN

Popcorn may be popped in a microwave oven corn popper. Microwave popcorn which pops in its own package is also available. Follow popcorn manufacturers' directions and use a brand suitable for the cooking power of your microwave oven.

CAUTION: When using pre-packaged microwave popcorn, you can follow recommended package instructions or use the popcorn pad (refer to page 12). Otherwise, the popcorn may not pop adequately or may ignite and cause a fire. Never leave oven unattended when popping popcorn. Allow the popcorn bag to cool before opening, always open the bag facing away from your face and body to prevent steam burns.

3) DEEP FAT FRYING

- **DO NOT** deep fat fry in your microwave oven. Cooking oils may burst into flames and may cause damage to the oven and perhaps result in burns. Microwave utensils may not withstand the temperature of the hot oil, and can shatter or melt.

4) FOODS WITH NONPOROUS SKINS

- **DO NOT COOK/REHEAT WHOLE EGGS, WITH OR WITHOUT THE SHELL.** Steam buildup in whole eggs may cause them to explode, and possibly damage the oven or cause injury. Reheating SLICED hard-boiled eggs and cooking SCRAMBLED eggs is safe.
- **Potatoes, apples, whole squash and sausages** are examples of foods with non-porous skins. These types of foods must be pierced before microwave cooking to prevent them from exploding.

CAUTION: Cooking dry or old potatoes can cause fire.



Safety Precautions

(continued)

5) GLASS TRAY / COOKING CONTAINERS / FOIL

- Cooking containers get hot during microwaving. Heat is transferred from the HOT food to the container and the Glass Tray. Use pot holders when removing containers from the oven or when removing lids or plastic wrap covers from cooking containers, to avoid burns.
- The Glass Tray will get hot during cooking. It should be allowed to cool before handling or before paper products, such as paper plates or microwave popcorn bags, are placed in the oven for microwave cooking.
- When using foil in the oven, allow at least 1-inch (2.5 cm) of space between foil and interior oven walls or door.
- Dishes with metallic trim should **not** be used, as arcing may occur.

6) PAPER TOWELS / CLOTHS

- **DO NOT** use paper towels or cloths which contain a synthetic fiber woven into them. The synthetic fiber may cause the towel to ignite. Use paper toweling under supervision.

7) BROWNING DISHES / OVEN COOKING BAGS

- Browning dishes or grills are designed for microwave cooking only. Always follow instructions provided by the manufacturer. **DO NOT** preheat browning dish more than 6 minutes.
- If an oven cooking bag is used for microwave cooking, prepare according to package directions. **DO NOT** use a wire twist-tie to close bag, instead use plastic ties, cotton string or a strip cut from the open end of the bag.

8) THERMOMETERS

- **DO NOT** use a conventional meat thermometer in your oven. Arcing may occur. Microwave safe thermometers are available for both meat and candy.

9) BABY FORMULA / BABY FOOD

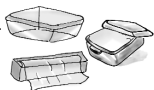
- **DO NOT** heat baby formula or baby food in the microwave oven. The glass jar or surface of the food may appear warm while the interior can be so hot as to burn the infant's mouth and esophagus.

10) REHEATING PASTRY PRODUCTS

- When reheating pastry products, check temperatures of any fillings before eating. Some foods have fillings which heat faster and can be extremely hot, while the surface remains warm to the touch (ex. Jelly Donuts).

11) GENERAL OVEN USAGE GUIDELINES

- **DO NOT** use the oven for any purpose other than the preparation of food.



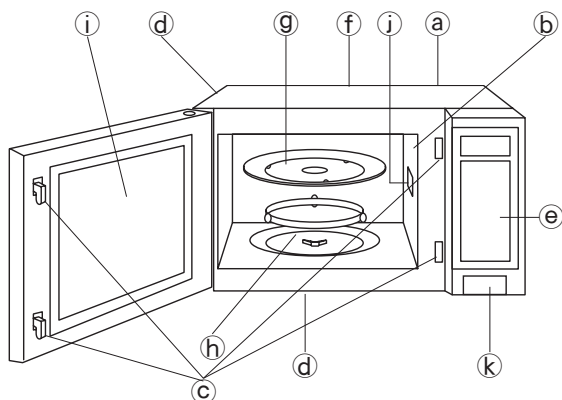
Cookware Guide

ITEM	MICROWAVE	COMMENTS
Aluminum Foil	Yes for Shielding only	Small strips of foil can be molded around thin parts of meat or poultry to prevent overcooking. Arcing can occur if foil is too close to oven wall or door and damage to your oven will result.
Browning Dish	Yes	Browning dishes are designed for microwave cooking only. Check browning dish information for instructions and heating chart. Do not preheat for more than 6 minutes.
Brown paper bags	No	May cause a fire in the oven.
Dinnerware: Labeled "Microwave Safe"	Yes	Check manufacturers' use and care directions for use in microwave heating. Some dinnerware may state on the back of the dish, "Oven-Microwave Safe".
Unlabeled Dinnerware	?	Use CONTAINER TEST below.
Disposable polyester Paperboard Dishes	Yes	Some frozen foods are packaged in these dishes. Can be purchased in grocery stores.
Fast Food Carton with Metal Handle	No	Metal handle may cause arcing.
Frozen Dinner Tray Metal	No	Metal can cause arcing and damage to your oven.
Frozen Dinner Tray Microwave safe	Yes	Heat only 1 tray in the oven at one time.
Glass Jars	No	Most glass jars are not heat resistant. Do not use for cooking or reheating.
Heat Resistant Oven Glassware & Ceramics	Yes	Ideal for microwave cooking and browning. (See CONTAINER TEST below)
Metal Bakeware	No	Not recommended for use in microwave ovens. Metal can cause arcing and damage to your oven.
Metal Twist-Ties	No	May cause arcing which could cause a fire in the oven.
Oven Cooking Bag	Yes	Follow manufacturers' directions. Close bag with the nylon tie provided, a strip cut from the end of the bag, or a piece of cotton string. Do not close with metal twist-tie. Make six 1/2-inch (1 cm) slits near the closure.
Paper Plates & Cups	Yes	Use to warm cooked foods, and to cook foods that require short cooking times such as hot dogs.
Paper Towels & Napkins	Yes	Use to warm rolls and sandwiches, only if labeled safe for microwave use.
Recycled Paper Towels & Napkins	No	Recycled paper products may contain impurities which may cause sparks.
Parchment Paper	Yes	Use as a cover to prevent spattering. Safe for use in <u>microwave, microwave/convection and conventional ovens.</u>
Plastic: Microwave Safe Cookware	Yes, use caution	Should be labeled, "Suitable for Microwave Heating." Check manufacturers' directions for recommended uses. Some microwave safe plastic containers are not suitable for cooking foods with high fat or sugar content. The heat from hot food may cause the plastic to warp.
Plastic, Melamine	No	This material absorbs microwave energy. Dishes get HOT!
Plastic Foam Cups	Yes, use caution	Plastic foam will melt if foods reach a high temperature. Use to reheat foods to a low serving temperature only.
Plastic Wrap	Yes	Use to cover food during cooking to retain moisture and prevent spattering. Should be labeled "Suitable for Microwave Heating". Check package directions.
Straw, Wicker, Wood	Yes, use caution	Use only for short term reheating and to bring food to a low serving temperature. Wood may dry out & split or crack when used.
Thermometers- Microwave safe	Yes	Use only microwave safe meat and candy thermometers.
Thermometers- Conventional	No	Not suitable for use in microwave oven, will cause sparks and get hot.
Wax paper	Yes	Use as a cover to prevent spattering and to retain moisture.

CONTAINER TEST

TO TEST A CONTAINER FOR SAFE MICROWAVE OVEN USE: Fill a microwave safe cup with cool water and place it in the microwave oven alongside the empty container to be tested; **heat one (1) minute at P10 (HIGH)**. If the container is microwave oven safe (transparent to microwave energy), the empty container should remain comfortably cool and the water should be hot. If the container is hot, it has absorbed some microwave energy and should NOT be used. This test cannot be used for plastic containers.

Oven Components Diagram



- Ⓐ External Air Vent
- Ⓑ Internal Air Vent
- Ⓒ Door Safety Lock System
- Ⓓ Exhaust Air Vent
- Ⓔ Control Panel
- Ⓕ Identification Plate

- Ⓖ Glass Tray
- Ⓗ Roller Ring
- Ⓘ Heat/Vapor Barrier Film
(do not remove)
- ⓷ Waveguide Cover (do not remove)
- Ⓚ Door Release Button

Control Panel

- (1) Display Window
- (2) Popcorn Pad (☛ page 12)
- (3) Inverter Turbo Defrost Pad
(☛ page 14)
- (4) Auto Reheat Pad (☛ page 16)
- (5) Auto Cook Pad (☛ page 16)
- (6) Serving/Weight Pad
(☛ page 16)
- (7) More/Less Pad (☛ page 13)
- (8) Number Pads
- (9) Timer Pad (☛ page 19)
- (10) Clock Pad (☛ page 10)
- (11) Power Level Pad (☛ page 11)
- (12) Quick Min Pad (☛ page 11)

- (13) Start Pad
One tap allows oven to begin functioning. If door is opened or **Stop/Reset** Pad is pressed once during oven operation, **Start** Pad must be pressed again to restart oven.
- (14) Stop/Reset Pad
Before cooking: One tap clears memory.
During cooking: One tap temporarily stops the cooking process. Another tap cancels all your instructions and time of day or colon appears in the **Display Window**.

Beep Sound:

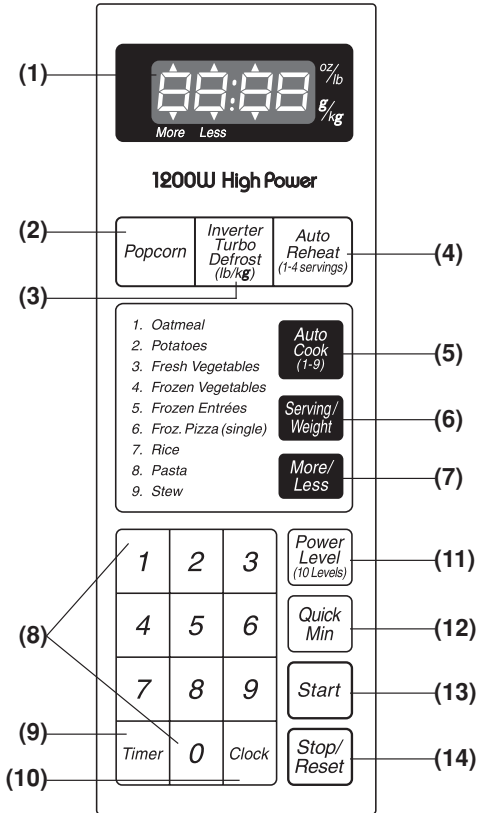
When a pad is pressed correctly, a beep will be heard.

If a pad is pressed and no beep is heard, the unit did not or cannot accept the instruction. When operating, the oven will beep twice between programmed stages. At the end of any complete program, the oven will beep 5 times.

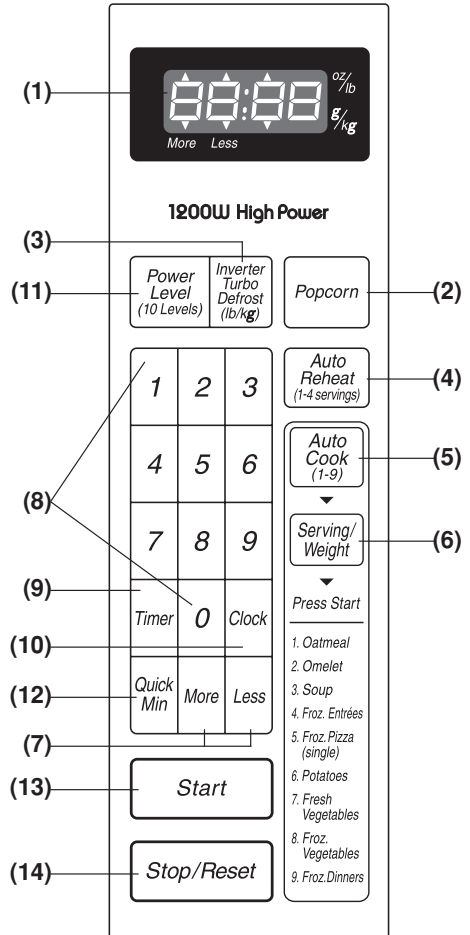
Control Panel

(continued)

NN-S744


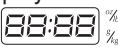






NN-S934



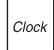
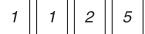
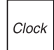
* The control panel of NN-S924/S944 has the same key layout as NN-S744.

Starting to Use Your Oven!

<p>1. </p> <p>↓</p> <p>Display Window</p> 	<ul style="list-style-type: none"> • Plug into a properly grounded electrical outlet. The oven automatically defaults to the imperial measure system (oz/lb).
<p>2. If you wish to use metric system (g/kg):</p> <p></p> <p>↓</p>  <p>↔</p> 	<ul style="list-style-type: none"> • Press Start to convert to metric. Verify your selection in the display window.
<p>3. </p>	<ul style="list-style-type: none"> • Press. <ul style="list-style-type: none"> ➤ Colon appears in the display window.

Setting the Clock



Example: To set 11:25 a.m. or p.m.

<p>1. </p>	<ul style="list-style-type: none"> • Press Clock once. <ul style="list-style-type: none"> ➤ Colon flashes.
<p>2. </p>	<ul style="list-style-type: none"> • Enter time of day using the number pads. <ul style="list-style-type: none"> ➤ Time appears in the display window; colon continues flashing.
<p>3. </p>	<ul style="list-style-type: none"> • Press Clock. <ul style="list-style-type: none"> ➤ Colon stops flashing; time of day is entered.

- NOTES:**
1. To reset the clock, repeat step 1-3.
 2. The clock will retain the time of day as long as the oven is plugged in and electricity is supplied.
 3. Clock is a 12 hour display.
 4. Oven will not operate while colon is flashing.

Child Safety Lock

This feature prevents the electronic operation of the oven until cancelled. It does not lock the door.




<p>To Set:</p> <p></p>	<ul style="list-style-type: none"> • Press Start 3 times. "Child" appears in the display window. <ul style="list-style-type: none"> ➤ "Child" continues to be displayed until Child Lock is cancelled. Keypads may be pressed but the microwave will not start.
<p>To Cancel:</p> <p></p>	<ul style="list-style-type: none"> • Press Stop/Reset 3 times. <ul style="list-style-type: none"> ➤ The display will return to colon or time of day when Child Lock has been cancelled.

NOTE: You can set Child Lock feature when the display shows a colon or time of day.



Selecting Power & Cook Time

Example: To cook at P 6 (MEDIUM) power for 1 minute 30 seconds

<p>1.</p>  <p>Press 5 times.</p>	<ul style="list-style-type: none"> Press Power Level until the desired power level appears in the display window.
<p>2.</p> 	<ul style="list-style-type: none"> Set Cooking Time using number pads.
<p>3.</p> 	<ul style="list-style-type: none"> Press Start. <ul style="list-style-type: none"> ▶ Cooking will start. The time in the display window will count down.

Press	Power Level
once	P10 (HIGH)
twice	P9
3 times	P8
4 times	P7 (MEDIUM-HIGH)
5 times	P6 (MEDIUM)
6 times	P5
7 times	P4
8 times	P3 (MEDIUM-LOW)/DEFROST
9 times	P2
10 times	P1 (LOW)

NOTES:

- For more than one stage cooking, repeat steps 1 and 2 for each stage of cooking before pressing **Start** Pad. The maximum number of stages for cooking is 5. When operating, two beeps will sound between each stage. Five beeps will sound at the end of the entire sequence.
- When selecting P10 (HIGH) power for the first stage, you may begin at step 2.
- When selecting P10 (HIGH) power, the maximum programmable time is 30 minutes. For other power levels, the maximum time is 99 minutes and 99 seconds.
- For reheating, use P10 (HIGH) for liquids, P7 (MEDIUM-HIGH) for most foods and P6 (MEDIUM) for dense foods.
- For defrosting, use P3 (MEDIUM-LOW).



DO NOT OVER COOK. This oven requires less time to cook than an older unit. Over cooking will cause food to dry out and may cause a fire. A microwave oven's cooking power tells you the amount of microwave power available for cooking.



Quick Min Feature

This feature allows you to set or add cooking time in 1 minute increments up to 10 minutes.

To Set Cooking Time:

<p>1.</p> 	<ul style="list-style-type: none"> Press Quick Min until the desired cooking time (up to 10 minutes) appears in the display window. Power Level is pre-set at P10.
<p>2.</p> 	<p>Press Start. Cooking begins and the time will count down. At the end of cooking, 5 beeps sound.</p>

NOTES:




- If desired, you can use other power levels. Select desired power level before setting cooking time.
- After setting the time by **Quick Min** Pad, you cannot use Number Pads.
- Quick Min** Pad can be used to add more time during manual cooking.



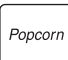

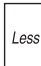

Popcorn Feature

Example: To pop 3.5 oz. of popcorn

For NN-S744/S924/S944:

<p>1.</p> <div style="text-align: center;">  Press once </div>	<ul style="list-style-type: none"> Press Popcorn until the desired size appears in the display window. <table border="1" data-bbox="242 321 497 428"> <thead> <tr> <th>Press</th> <th>Weight</th> </tr> </thead> <tbody> <tr> <td>once</td> <td>3.5 oz (99 g)</td> </tr> <tr> <td>twice</td> <td>3.0 oz (85 g)</td> </tr> <tr> <td>3 times</td> <td>1.75 oz (50 g)</td> </tr> </tbody> </table>	Press	Weight	once	3.5 oz (99 g)	twice	3.0 oz (85 g)	3 times	1.75 oz (50 g)
Press	Weight								
once	3.5 oz (99 g)								
twice	3.0 oz (85 g)								
3 times	1.75 oz (50 g)								
<p>2.</p> <div style="text-align: center;">  Optional </div>	<p>(see More/Less Feature.)</p>								
<p>3.</p> <div style="text-align: center;">  </div>	<ul style="list-style-type: none"> Press Start. <ul style="list-style-type: none"> ➤ After several seconds, cooking time appears in the display window and begins to count down. 								

For NN-S934:

<p>1.</p> <div style="text-align: center;">  Press once </div>	<ul style="list-style-type: none"> Press Popcorn until the desired size appears in the display window. <table border="1" data-bbox="242 867 497 974"> <thead> <tr> <th>Press</th> <th>Weight</th> </tr> </thead> <tbody> <tr> <td>once</td> <td>3.5 oz (99 g)</td> </tr> <tr> <td>twice</td> <td>3.0 oz (85 g)</td> </tr> <tr> <td>3 times</td> <td>1.75 oz (50 g)</td> </tr> </tbody> </table>	Press	Weight	once	3.5 oz (99 g)	twice	3.0 oz (85 g)	3 times	1.75 oz (50 g)
Press	Weight								
once	3.5 oz (99 g)								
twice	3.0 oz (85 g)								
3 times	1.75 oz (50 g)								
<p>2.</p> <div style="text-align: center;">  or  Optional </div>	<p>(see More/Less Feature.)</p>								
<p>3.</p> <div style="text-align: center;">  </div>	<ul style="list-style-type: none"> Press Start. <ul style="list-style-type: none"> ➤ After several seconds, cooking time appears in the display window and begins to count down. 								

NOTES ON POPCORN FEATURE:

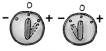
1. Pop one bag at a time.
2. Place bag in oven according to manufacturers' directions.
3. Start with popcorn at room temperature.
4. Allow popped corn to sit unopened for a few minutes.
5. Open bag carefully to prevent burns, because steam will escape.
6. Do not reheat unpopped kernels or reuse bag.

NOTE:

If popcorn is of a different weight than listed, follow instructions on popcorn package. **Never leave the oven unattended.** If popping slows to 2 to 3 seconds between pops, stop oven. **Overcooking can cause fire.**

REMARKS:

When popping multiple bags one right after the other, the cooking times may vary slightly. This does not affect the popcorn results.



More/Less Feature


For Popcorn:


By using the **More/Less** Pad, the programs can be adjusted to cook popcorn for a longer or shorter time if desired.

For NN-S744/S924/S944:



- 1 tap = Adds Approx. 10 secs.
- 2 taps = Adds Approx. 20 secs.
- 3 taps = Subtracts Approx. 10 secs.
- 4 taps = Subtracts Approx. 20 secs.
- 5 taps = original setting

For NN-S934:  : Adds time

 : Subtracts time

- More 2 = Adds Approx. 20 secs.
- More 1 = Adds Approx. 10 secs.
- original setting
- Less 1 = Subtracts Approx. 10 secs.
- Less 2 = Subtracts Approx. 20 secs.

Press **More/Less** pad before pressing **Start**.


For Auto Reheat/Cook:

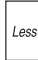
Preferences for food doneness vary with each individual. After having used the **Auto Reheat/Cook** feature a few times, you may decide you would prefer your food cooked to a different doneness.

For NN-S744/S924/S944:



- 1 tap = More (Adds Approx. 10% time)
- 2 taps = Less (Subtracts Approx. 10% time)
- 3 taps = original setting

For NN-S934:  : Adds time

 : Subtracts time

- More 1 = Adds Approx. 10% time
- original setting
- Less 1 = Subtracts Approx. 10% time

Press **More/Less** pad before pressing **Start**.


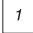




Inverter Turbo Defrost Feature

This feature allows you to defrost foods such as: meat, poultry and seafood simply by entering the weight.

Example: To defrost 1.5 pounds of meat

Place food on microwave safe dish.

1. 	• Press Inverter Turbo Defrost .
2.  	• Enter weight of the food using the number pads.
3. 	• Press Start . Defrosting will start. The time will count down. Larger weight foods will cause a signal midway through defrosting. If 2 beeps sound, turn over, rearrange foods or shield with aluminum foil.

Conversion Chart:

Follow the chart to convert ounces or hundredths of a pound into tenths of a pound. To use Inverter Turbo Defrost, enter the weight of the food in lbs. (1.0) and tenths of a lb. (0.1). If a piece of meat weighs 1.95 lbs. or 1 lb. 14 oz., enter 1.9 lbs.

Ounces	Hundredths of a Pound	Tenths of a Pound
0	.01 - .05	0.0
1 - 2	.06 - .15	0.1
3 - 4	.16 - .25	0.2
5	.26 - .35	0.3
6 - 7	.36 - .45	0.4
8	.46 - .55	0.5
9 - 10	.56 - .65	0.6
11 - 12	.66 - .75	0.7
13	.76 - .85	0.8
14 - 15	.86 - .95	0.9



Defrosting Tips & Techniques

Preparation For Freezing:

1. Freeze meats, poultry, and fish in packages with only 1 or 2 layers of food. Place wax paper between layers.
2. Package in heavy-duty plastic wraps, bags (labeled "For Freezer"), or freezer paper.
3. Remove as much air as possible.
4. Seal securely, date, and label.

To Defrost:

1. Remove wrapper. This helps moisture to evaporate. Juices from food can get hot and cook the food.
2. Set food in microwave safe dish.
3. Place roasts fat-side down. Place whole poultry breast-side down.
4. Select power and minimum time so that items will be under-defrosted.
5. Drain liquids during defrosting.
6. Turn over (invert) items during defrosting.
7. Shield edges and ends if needed. (See Cooking Techniques).

After Defrosting:

1. Large items may be icy in the center. Defrosting will complete during STANDING TIME.
2. Let stand, covered, following stand time directions on page 15.
3. Rinse foods indicated in the chart.
4. Items which have been layered should be rinsed separately or have a longer stand time.



Defrosting Tips & Techniques *(continued)*

FOOD	DEFROST TIME at P3 mins (per lb)	DURING DEFROSTING	AFTER DEFROSTING	
			Stand Time	Rinse
Fish and Seafood [up to 3 lbs. (1.4 kg)]				
Crabmeat	6	Break apart/Rearrange	5 min.	YES
Fish Steaks	4 to 6	Turn over		
Fish Fillets	4 to 6	Turn over/Rearrange/Shield ends		
Sea Scallops	4 to 6	Break apart/Remove defrosted pieces		
Whole fish	4 to 6	Turn over		
Meat				
Ground Meat	4 to 5	Turn over/Remove defrosted portion/Shield edges	10 min.	NO
Roasts [2½-4 lbs. (1.1-1.8 kg)]	4 to 8	Turn over/Shield ends and defrosted surface	30 min. in refrig.	
Chops/Steak	6 to 8	Turn over/Rearrange/Shield ends and defrosted surface	5 min.	
Ribs/T-bone	6 to 8	Turn over/Rearrange/Shield ends and defrosted surface		
Stew Meat	4 to 8	Break apart/Rearrange/Remove defrosted pieces		
Liver (thinly sliced)	4 to 6	Drain liquid/Turn over/Separate pieces		
Bacon (sliced)	4	Turn over	----	
Poultry				
Chicken, Whole [up to 3 lbs. (1.4 kg)]	4 to 6	Turn over/Shield	20 min. in refrig.	YES
Cutlets	4 to 6	Break apart/Turn over/Remove defrosted Pieces	5 min.	
Pieces	4 to 6	Break apart/Turn over/Shield	10 min.	
Cornish Hens	6 to 8	Turn over/Shield		
Turkey Breast [5-6 lbs. (2.3-2.7 kg)]	6	Turn over/Shield	20 min. in refrig.	






Auto Reheat Feature


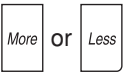

This feature allows you to reheat 1 to 4 servings of precooked room temperature and refrigerator temperature foods without setting power and time.

Example: To reheat 2 servings of casserole

For NN-S744/S924/S944:

1.  Press twice	• Press Auto Reheat until the desired number of servings appears in the display window.
2.  Optional	(see More/Less Feature) (☛page 13)
3. 	• Press Start . ➤Cooking begins and the time will count down.

For NN-S934:

1.  Press twice	• Press Auto Reheat until the desired number of servings appears in the display window.
2.  Optional	(see More/Less Feature) (☛page 13)
3. 	• Press Start . ➤Cooking begins and the time will count down.

Press Auto Reheat pad to indicate number or servings	Average Serving Size	Time
once	4-6 oz.	will vary depending on size and wattage of oven
twice	8 oz.	
3 times	12 oz.	
4 times	16 oz.	

NOTES: For best results, follow these recommendations:

1. All foods must be previously cooked.
2. Foods should always be covered loosely with plastic wrap, wax paper or casserole lid.
3. All foods should have a covered stand time of 3 to 5 minutes.

4. DO NOT reheat bread and pastry products using Auto Reheat Use manual power and time instead.
5. DO NOT reheat beverages.
6. Times are based on an approximate serving size of 4 oz.
7. A plate of food is normally 3-4 servings.







Auto Cook Feature



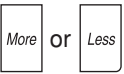

These are tested and pre-timed (based on the power rating of this oven) for the quantity of food listed in the chart on page 17. Locale, power fluctuations and personal tastes are not taken into account. Should you prefer your food cooked differently, use power and time method shown on page 11.

Example: To cook a 10 oz. Frozen Entrées

For NN-S744/S924/S944:

1.  Press 5 times	• Press Auto Cook until the desired category number appears in the display window.
2. 	• Press Serving/Weight until the desired serving/weight appears in the display window.
3.  Optional	(see More/Less Feature) (☛page 13)
4. 	• Press Start . ➤Cooking begins and the time will count down.

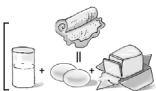
For NN-S934:

1.  Press 4 times	• Press Auto Cook until the desired category number appears in the display window.
2. 	• Press Serving/Weight until the desired serving/weight appears in the display window.
3.  Optional	(see More/Less Feature) (☛page 13)
4. 	• Press Start . ➤Cooking begins and the time will count down.



Auto Cook Chart

Recipe	Serving/Weight	Hints
Oatmeal	0.5, 1 cup (40, 80 g)	Place inside a microwave safe serving bowl with no cover. Follow manufacturers' directions for preparation.
Omelet (only for NN-S934)	2, 4 eggs	Follow Basic Omelet recipe on page 18.
Soup (only for NN-S934)	1, 2 cups (250, 500 ml)	Pour soup into a microwave safe serving bowl. Cover with lid or vented plastic wrap. Stir after cooking.
Potatoes	4 maximum (6 - 8 oz. each) (170 - 225 g)	Pierce each potato with a fork 6 times spacing around surface. Place potato or potatoes around the edge of paper-towel-lined glass tray (Turntable), at least 1 inch (2.5cm) apart. Do not cover. Let stand 5 minutes to complete cooking.
Fresh Vegetables	4, 8, 12, 16 oz. (110, 225, 340, 450 g)	All pieces should be the same size. Wash thoroughly, add 1 tbsp of water per 1/2 cup of vegetables, and cover with lid or vented plastic wrap. Do not salt/butter until after cooking.
Frozen Vegetables	6, 10, 16 oz. (170, 300, 450 g)	Wash thoroughly, add 1 tbsp of water per 1/2 cup of vegetables, and cover with lid or vented plastic wrap. Do not salt/butter until after cooking. (Not suitable for vegetables in butter or sauce.) After 2 beeps, stir or rearrange.
Frozen Entrées	8, 10, 20, 32 oz. (225, 300, 600, 900 g)	Follow manufacturers' directions for preparation. After 2 beeps, stir or rearrange. Be careful when removing the film cover after cooking. Remove facing away from you to avoid steam burns. If additional time is needed, continue to cook manually.
Frozen Pizza (single)	8 oz. (225 g)	Follow manufacturers' directions for preparation.
Rice (only for NN-S744/ S924/S944)	0.5, 1, 1.5 cups (110, 220, 335 g)	Place rice with hot tap water in a microwave safe casserole dish. Cover with lid or vented plastic wrap. Let stand 5 to 10 minutes before serving.
Pasta (only for NN-S744/ S924/S944)	2, 4, 6, 8 oz. (56, 110, 170, 225 g)	Place pasta with hot tap water in a microwave safe casserole dish. Cover with lid or vented plastic wrap.
Stew (only for NN-S744/ S924/S944)	1, 2 cups	Pour contents from can into microwave safe serving bowl. Cover with lid or vented plastic wrap. Stir after cooking.
Frozen Dinners (only for NN-S934)	11, 16 oz. (300, 450 g)	Follow manufactures' directions for covering or removing covers. Do not use frozen foods packaged in foil trays.



Microwave Recipes

OMELET

Basic Omelet

- 1 tablespoon butter or margarine
- 2 eggs
- 2 tablespoons milk
- salt and ground black pepper, if desired

Heat butter in a microwave safe 9-inch pie plate, 20 seconds at P10, or until melted. Turn the plate to coat the bottom with butter. Meanwhile, combine the remaining ingredients in a separate bowl, beat together and pour into the pie plate. Cook, covered with vented plastic wrap, using OMELET selection (for model NN-S934) or cook at P6 power for 3-4 minutes (for models NN-S744/S924/S944). Let stand 2 minutes. With a spatula, loosen the edges of the omelet from the plate, fold into thirds to serve. **Always use scrambled eggs.**

Yield: 1 serving

Approx. cooking time: 4 minutes.

NOTE: Double ingredients for a 4 egg Omelet.

CASSEROLE

Shepherd's Pie

- 1 pound lean ground beef
- 1/2 cup frozen peas, thawed
- 1/4 cup chopped onion
- 1 tablespoon gravy powder
- 1/2 teaspoon curry powder
- 1/4 teaspoon salt
- 1/4 teaspoon ground black pepper
- 2 cups mashed potatoes

In a 2-Qt. casserole dish, crumble the ground beef and cook for 5-7 minutes at P6 or until the meat is cooked, stirring twice. Add the remaining ingredients, except for potatoes. Stir well, and then spread the potatoes evenly on the top. Cover with a lid or vented plastic wrap and cook at P6 power for 16-18 minutes.

Yield: 4 servings

Macaroni and Cheese

- 1/4 cup butter
- 2 tablespoons chopped onion
- 1 clove minced garlic
- 1/4 cup all-purpose flour
- 1 teaspoon dry mustard
- 1 teaspoon salt
- 1/4 teaspoon ground black pepper
- 2 cups milk
- 2 cups grated cheddar cheese
- 8 oz. (1/2 lb dry weight) macaroni, cooked and drained
- 1/3 cup bread crumbs
- 1 teaspoon paprika

In a 2-Qt. casserole, melt the butter for 40 seconds at P10. Add onion and garlic and cook for 1 minute at P10. Stir in flour, mustard, salt and pepper, and gradually add the milk. Cook for 3-4 minutes at P10 until sauce thickens, stirring once. Add the cheddar cheese, stirring thoroughly. Pour and stir the sauce into the macaroni, in a 3-Qt. casserole. Top with bread crumbs and paprika. Cover with lid or vented plastic wrap. Cook at P6 power for 16-18 minutes.

Yield: 6 servings

Beef and Macaroni Casserole

- 1 pound lean ground beef
- 1 small onion, chopped
- 1/2 green bell pepper, chopped
- 1 cup chopped celery
- 2 15 oz. cans tomato sauce
- 1 1/4 cups water
- 1 cup uncooked elbow macaroni
- 1 teaspoon parsley
- 1/2 teaspoon salt
- 1/4 teaspoon ground black pepper
- 1/2 cup grated cheddar cheese

Crumble the ground beef in a 3-Qt. casserole. Cook for 5-7 minutes at P6 or until the meat is cooked, stirring twice. Stir in onion, peppers and celery. Cook for 3-4 minutes at P10. Stir in the remaining ingredients, except cheese. Cover with lid or vented plastic wrap. Cook at P6 power for 16-18 minutes. Sprinkle with cheese. Cover and let stand 5 minutes.

Yield: 4-6 servings

Tuna Casserole

- 1 6 oz. can tuna, drained and flaked
- 4 cups cooked and drained noodles
- 1 10 3/4 oz. can condensed cream of mushroom soup
- 1 4 oz. can mushroom pieces and stems, drained
- 1 16 oz. package frozen peas, defrosted
- 3/4 cup milk
- 1 cup crushed potato chips
- 1/2 cup grated cheddar cheese

In a 3-Qt. casserole, combine tuna, noodles, soup, mushrooms, peas and milk; mix well. Cover with lid or vented plastic wrap. Cook at P6 power for 16-18 minutes. Top with potato chips and cheese before serving.

Yield: 4-6 servings






Timer Feature

This feature allows you to program the oven as a kitchen timer. It can also be used to program a standing time after cooking is completed and/or to program a delay start.






To Use as a Kitchen Timer:

Example: To count down 5 minutes.

1. 	• Press Timer .
2. 	• Set desired amount of time using number pads. (up to 99 minutes and 99 seconds).
3. 	• Press Start . ▶ Time will count down without oven operating.

To Set Stand Time:

Example: To cook at P6 power for 3 minutes, with stand time of 5 minutes.






1.  Press 5 times	• Enter the desired Power Level (see page 11 for directions).
2. 	Set desired cooking time using number pads.
3. 	• Press Timer .
4. 	• Set desired amount of Stand Time using number pads. (up to 99 minutes and 99 seconds)
5. 	• Press Start . ▶ Cooking will start. After cooking, stand time will count down without oven operating.

CAUTION:

If oven lamp is lit while using the timer feature, the oven is incorrectly programmed. Stop oven immediately and re-read instructions.

To Set Delay Start:

Example: To delay the start of cooking for 5 minutes, and cook at P6 power for 3 minutes.

1. 	• Press Timer .
2. 	• Enter desired amount of delay time using number pads. (up to 99 minutes and 99 seconds)
3.  Press 5 times	• Enter the desired Power Level (see page 11 for directions).
4. 	Set desired cooking time using number pads.
5. 	• Press Start . ▶ Delay time will count down. Then cooking will start.

NOTE:

1. When each stage finishes, a two-beep signal sounds. At the end of the program, the oven will beep five times.
2. If the oven door is opened during Stand Time, Kitchen Timer or Delay Time, the time on the display will continue to count down.
3. Stand time and Delay start cannot be programmed before any automatic Function. This is to prevent the starting temperature of food from rising before defrosting or cooking begins. A change in starting temperature could cause inaccurate results.



Microwave Shortcuts

FOOD	POWER	TIME (in mins.)	DIRECTIONS
To separate refrigerated Bacon , 1 pound (450 g)	P10 (High)	30 sec.	Remove wrapper and place in microwave safe dish. After heating, use a plastic spatula to separate slices.
To soften Brown Sugar 1 cup (250 ml)	P10 (High)	20 - 30 sec.	Place brown sugar in microwave safe dish with a slice of bread. Cover with lid or plastic wrap.
To soften refrigerated Butter , 1 stick, 1/4 pound (110 g)	P3 (MED-LOW)	1	Remove wrapper and place butter in a microwave safe dish.
To melt refrigerated Butter , 1 stick, 1/4 pound (110 g)	P6 (MEDIUM)	1 1/2 - 2	Remove wrapper and place butter in a microwave safe dish covered with lid or vented plastic wrap.
To melt Chocolate , 1 square, 1 oz. (28 g)	P6 (MEDIUM)	1 - 1 1/2	Remove wrapper and place chocolate in a microwave safe dish. After heating, stir until completely melted. <i>Note: Chocolate holds its shape even when softened.</i>
To melt Chocolate , 1/2 cup (125 ml) chips	P6 (MEDIUM)	1 - 1 1/2	
To toast Coconut , 1/2 cup (125 ml)	P10 (High)	1	Place in a microwave safe dish. Stir every 30 seconds.
To soften Cream Cheese , 8 oz. (225 g)	P3 (MED-LOW)	1 - 2	Remove wrapper and place in a microwave safe bowl.
To brown Ground Beef , 1 pound (450 g)	P10 (High)	4 - 5	Crumble into a microwave safe colander set into another dish. Cover with plastic wrap. Stir twice. Drain grease.
To cook Vegetables , Fresh (1/2 lb) (225 g)	P8	3 1/2 - 4	All pieces should be the same size. Wash thoroughly, add 1 tbsp of water per 1/2 cup of vegetables, and cover with lid or vented plastic wrap. Do not salt/butter until after cooking.
Frozen (10 oz) (285 g)	P8	3 1/2 - 4	
Canned (15 oz) (430 g)	P8	3 1/2 - 4	



Microwave Shortcuts

(continued)

FOOD	POWER	TIME (in mins.)	DIRECTIONS
To cook baked Potato , (6 - 8 oz. each) (170 - 225 g) 1 2	P8 P8	3½ - 4 6 - 7	Pierce each potato with a fork 6 times spacing around surface. Place potato or potatoes around the edge of paper-towel-lined glass tray (Turntable), at least 1 inch (2.5 cm) apart. Do not cover. Let stand 5 minutes to complete cooking.
To steam Hand Towels - 4	P10 (High)	20 - 30 sec.	Soak in water, then wring out excess. Place on a microwave safe dish. Heat. Present immediately.
To soften Ice Cream , ½ gallon (2 L)	P3 (MED-LOW)	1 - 1½	Check often to prevent melting.
Cup of liquid To boil water, broth, etc. 1 cup, 8 oz. (250 ml) 2 cups, 16 oz. (500 ml)	P10 (High) P10 (High)	1½ - 2 2½ - 3	Heated liquids can erupt if not stirred. Do not heat liquids in microwave oven without stirring before heating.
Cup of liquid To warm Beverage , 1 cup, 8 oz. (250 ml) 2 cups, 16 oz. (500 ml)	P7 (MED-HIGH) P7 (MED-HIGH)	1½ - 2 2½ - 3	
To roast Nuts , 1½ cups (375 ml)	P10 (High)	3 - 4	Spread nuts into a 9-inch (23 cm) microwave safe pie plate. Stir occasionally.
To toast Sesame Seeds , ¼ cup (60 ml)	P10 (High)	2 - 2½	Place in a small microwave safe bowl. Stir twice.
To skin Tomatoes , (one at a time)	P10 (High)	30 sec.	Place tomato into a microwave safe bowl containing boiling water. Rinse and peel. Repeat for each tomato.
To remove Cooking Odors ,	P10 (High)	5	Combine 1 to 1½ cups (250 - 375 ml) water with the juice and peel of one lemon in a 2 quart microwave safe bowl. After water finishes boiling, wipe interior of oven with a cloth.

Food Characteristics

Bone and Fat

Both bone and fat affect cooking. Bones may cause irregular cooking. Meat next to the tips of bones may overcook while meat positioned under a large bone, such as a ham bone, may be undercooked. Large amounts of fat absorb microwave energy and the meat next to these areas may overcook.



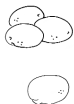
Density

Porous, airy foods such as breads, cakes or rolls take less time to cook than heavy, dense foods such as potatoes and roasts. When reheating donuts or other foods with different centers be very careful. Certain foods have centers made with sugar, water, or fat and these centers attract microwaves (For example, jelly donuts). When a jelly donut is heated, the jelly can become extremely hot while the exterior remains warm to the touch. This could result in a burn if the food is not allowed to cool properly in the center.



Quantity

Two potatoes take longer to cook than one potato. As the quantity of the food decreases so does the cooking time. Overcooking will cause the moisture content in the food to decrease and a fire could result. Never leave microwave unattended while in use.



Shape

Uniform sizes heat more evenly. The thin end of a drumstick will cook more quickly than the meaty end. To compensate for irregular shapes, place thin parts toward the center of the dish and thick pieces toward the edge.



Size

Thin pieces cook more quickly than thick pieces.



Starting Temperature

Foods that are at room temperature take less time to cook than if they are chilled, refrigerated, or frozen.



Cooking Techniques

Piercing

Foods with skins or membranes must be pierced scored or have a strip of skin peeled before cooking to allow steam to escape. Pierce clams, oysters, chicken livers, whole potatoes and whole vegetables. Whole apples or new potatoes should have a 1-inch strip of skin peeled before cooking. Score sausages and frankfurters. Do not Cook/Reheat whole eggs with or without the shell. Steam build up in whole eggs may cause them to explode, and possibly damage the oven or cause injury. Reheating SLICED hard-boiled eggs and cooking SCRAMBLED eggs is safe.



Browning

Foods will not have the same brown appearance as conventionally cooked foods or those foods which are cooked utilizing a browning feature. Meats and poultry may be coated with browning sauce, Worcestershire sauce, barbecue sauce or shake-on browning sauce. To use, combine browning sauce with melted butter or margarine and brush on before cooking. For quick breads or muffins, brown sugar can be used in the recipe in place of granulated sugar, or the surface can be sprinkled with dark spices before baking.



Spacing

Individual foods, such as baked potatoes, cupcakes and appetizers, will cook more evenly if placed in the oven equal distances apart. When possible, arrange foods in a circular pattern.





Cooking Techniques

(continued)

Covering

As with conventional cooking, moisture evaporates during microwave cooking. Casserole lids or plastic wrap are used for a tighter seal. When using plastic wrap, vent the plastic wrap by folding back part of the plastic wrap from the edge of the dish to allow steam to escape. Loosen or remove plastic wrap as recipe directs for stand time. When removing plastic wrap covers, as well as any glass lids, be careful to remove them away from you to avoid steam burns. Various degrees of moisture retention are also obtained by using wax paper or paper towels.

Shielding

Thin areas of meat and poultry cook more quickly than meaty portions. To prevent overcooking, these thin areas can be shielded with strips of aluminum foil. Wooden toothpicks may be used to hold the foil in place.

▲ CAUTION is to be exercised when using foil. Arcing can occur if foil is too close to oven wall or door and damage to your oven will result.

Cooking time

A range of cooking time is given in each recipe. The time range compensates for the uncontrollable differences in food shapes, starting temperature, and regional preferences. Always cook food for the minimum cooking time given in a recipe and check for doneness. If the food is undercooked, continue cooking. It is easier to add time to an undercooked product. Once the food is overcooked, nothing can be done.

Stirring

Stirring is usually necessary during microwave cooking. Always bring the cooked outside edges toward the center and the less cooked center portions toward the outside of the dish.

Rearranging

Rearrange small items such as chicken pieces, shrimp, hamburger patties, or pork chops. Rearrange pieces from the edge to the center and pieces from the center to the edge of the dish.

Turning

It is not possible to stir some foods to distribute the heat evenly. At times, microwave energy will concentrate in one area of the food. To help insure even cooking, these food need to be turned. Turn over large foods, such as roasts or turkeys, halfway through cooking.

Stand Time

Most foods will continue to cook by conduction after the microwave oven is turned off. In meat cookery, the internal temperature will rise 5°F to 15°F (3°C to 8°C), if allowed to stand, tented with foil, for 10 to 15 minutes. Casseroles and vegetables need a shorter amount of standing time, but this standing time is necessary to allow foods to complete cooking to the center without overcooking on the edges.

Test for Doneness

The same tests for doneness used in conventional cooking may be used for microwave cooking. Meat is done when fork-tender or splits at fibers. Chicken is done when juices are clear yellow and drumstick moves freely. Fish is done when it flakes and is opaque. Cake is done when a toothpick or cake tester is inserted and comes out clean.

ABOUT FOOD SAFETY AND COOKING TEMPERATURE

- Check foods to see that they are cooked to the United States Department of Agriculture's recommended temperatures.

TEMP	FOOD
160°F	...for fresh pork, ground meat, boneless white poultry, fish, seafood, egg dishes and frozen prepared food.
165°F	...for leftover, ready-to-reheat refrigerated, and deli and carryout "fresh" food.
170°F	...white meat of poultry.
180°F	...dark meat of poultry.

To test for doneness, insert a meat thermometer in a thick or dense area away from fat or bone. NEVER leave the thermometer in the food during cooking, unless it is approved for microwave oven use.



Care and Cleaning of Your Microwave Oven

BEFORE CLEANING:

Unplug oven at wall outlet. If outlet is inaccessible, leave oven door open while cleaning.

AFTER CLEANING:

Be sure to place the Roller Ring and the Glass Tray in the proper position and press Stop/Reset Pad to clear the Display.

Inside of the oven:

Wipe with a damp cloth after using. Mild detergent may be used if needed. Do not use harsh detergents or abrasives.

Glass Tray:

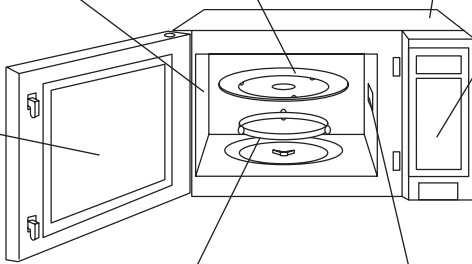
Remove and wash in warm soapy water or in a dishwasher.

Outside oven surfaces:

Clean with a damp cloth. To prevent damage to the operating parts inside the oven, water should not be allowed to seep into ventilation openings.

Oven Door:

Wipe with a soft dry cloth when steam accumulates inside or around the outside of the oven door. During cooking, especially under high humidity conditions, steam is given off from the food. (Some steam will condense on cooler surfaces, such as the oven door. This is normal.) Inside surface is covered with a heat and vapor barrier film. **Do not remove.**



Roller Ring and oven cavity floor:

Clean the bottom surface of the oven with mild detergent water or window cleaner, and dry. Roller Ring may be washed in mild soapy water or dishwasher. These areas should be kept clean to avoid excessive noise.

Control Panel:

* Covered with a removable protective film to prevent scratches during shipping. Small bubbles may appear under this film. (Hint - To remove film, apply masking or clear tape to an exposed corner and pull gently.)
* If the Control Panel becomes wet, clean it with a soft dry cloth. Do not use harsh detergents or abrasives.

Do not remove waveguide cover: It is important to keep cover clean in the same manner as the inside of the oven.

IT IS IMPORTANT TO KEEP THE OVEN CLEAN AND DRY. FOOD RESIDUE AND CONDENSATION MAY CAUSE RUSTING OR ARCING AND DAMAGE TO THE OVEN. AFTER USE, WIPE DRY ALL SURFACES-INCLUDING VENT OPENINGS, OVEN SEAMS, AND UNDER GLASS TRAY.

PARTS DESCRIPTION

PART NUMBER

Instructions / Operating Manual (this book)

F00036J60AP

Glass Tray

F06014W00AP

(NN-S744)

F06014M00AP

(NN-S924/S934/S944)

Roller Ring Assembly

F290D9330AP

Accessory Purchases

Purchase Parts, Accessories and Instruction Books online for all Panasonic Products by visiting our Web Site at: <http://www.pasc.panasonic.com> or, send your request by E-mail to: npcparts@panasonic.com

You may also contact us directly at:

1-800-332-5368 (Phone) 1-800-237-9080 (Fax Only) (Monday-Friday 9 am to 8 pm, EST.)

Panasonic Services Company

20421 84th Avenue South,

Kent, WA 98032

(We Accept Visa, MasterCard, Discover Card, American Express, and Personal Checks)

For hearing or speech impaired TTY users, TTY: 1-866-605-1277



Before Requesting Service

These things are normal:

The oven causes interference with my TV.

Some radio and TV interference might occur when you cook with the microwave oven. This interference is similar to the interference caused by small appliances such as mixers, vacuums, blow dryers, etc. It does not indicate a problem with your oven.

Steam accumulates on the oven door and warm air comes from the oven vents.

During cooking, steam and warm air are given off from the food. Most of the steam and warm air are removed from the oven by the air which circulates in the oven cavity. However, some steam will condense on cooler surfaces such as the oven door. This is normal. After use, the oven should be wiped dry (see page 24).

PROBLEM

POSSIBLE CAUSE

REMEDY

Oven will not turn on.

The oven is not plugged in securely.

Remove plug from outlet, wait 10 seconds and re-insert.

Circuit breaker or fuse is tripped or blown.

Reset circuit breaker or replace fuse.

There is a problem with the outlet.

Plug another appliance into the outlet to check if it is working.

Oven will not start cooking.

The door is not closed completely.

Close the oven door securely.

Start Pad was not pressed after programming.

Press **Start** Pad.

Another program is already entered into the oven.

Press **Stop/Reset** Pad to cancel the previous program and enter new program.

The program is not correct.

Program again according to the Operating Instructions.

Stop/Reset Pad has been pressed accidentally.

Program oven again.

The Glass Tray wobbles.

The Glass Tray is not positioned properly on the Roller Ring or there is food under the Roller Ring.

Take out Glass Tray and Roller Ring. Wipe with a damp cloth and reset Roller Ring and Glass Tray properly.

When the oven is operating, there is noise coming from the glass tray.

The Roller Ring and oven bottom are dirty.

Clean these parts according to **Care and Cleaning of your Microwave Oven** (see page 24).

The word "Child" appears in the **Display Window**.

The CHILD LOCK was activated by pressing **Start** pad 3 times.

Deactivate LOCK by pressing **Stop/Reset** pad 3 times.

Limited Warranty & Customer Services Directory

PANASONIC CONSUMER ELECTRONICS COMPANY,
DIVISION OF MATSUSHITA ELECTRIC
CORPORATION OF AMERICA
One Panasonic Way
Secaucus, New Jersey 07094

PANASONIC SALES COMPANY,
DIVISION OF MATSUSHITA
ELECTRIC OF PUERTO RICO, INC.,
Ave. 65 de Infantería, Km. 9.5
San Gabriel Industrial Park
Carolina, Puerto Rico 00985

Panasonic Microwave Oven Product Limited Warranty

Limited Warranty Coverage

If your product does not work properly because of a defect in materials or workmanship, Panasonic Consumer Electronics Company or Panasonic Sales Company (collectively referred to as "the warrantor") will, for the length of the period indicated on the chart below, which starts with the date of original purchase ("warranty period"), at its option either (a) repair your product with new or refurbished parts, or (b) replace it with a new or a refurbished product. The decision to repair or replace will be made by the warrantor.

**ALL PARTS (EXCEPT MAGNETRON TUBE)
MAGNETRON TUBE**

PARTS	LABOR
1 (ONE) YEAR	1 (ONE) YEAR
5 (FIVE) YEAR	1 (ONE) YEAR

During the "Labor" warranty period there will be no charge for labor. During the "Parts" warranty period, there will be no charge for parts. You must carry-in or mail-in your product during the warranty period. This warranty only applies to products purchased and serviced in the United States or Puerto Rico. This warranty is extended only to the original purchaser of a new product which was not sold "as is". A purchase receipt or other proof of the original purchase date is required for warranty service.

Carry-In or Mail-In Service

For Carry-In or Mail-In Service in the United States call 1-800-211-PANA(7262) or visit Panasonic Web Site: <http://www.panasonic.com>

For assistance in Puerto Rico call Panasonic Sales Company (787)-750-4300 or fax (787)-768-2910.

Limited Warranty Limits And Exclusions

This warranty ONLY COVERS failures due to defects in materials or workmanship, and DOES NOT COVER glass, plastic parts, temperature probes(if included) and normal wear and tear or cosmetic damage. The warranty ALSO DOES NOT COVER damages which occurred in shipment, or failures which are caused by products not supplied by the warrantor, or failures which result from accidents, misuse, abuse, neglect, mis-handling, misapplication, alteration, faulty installation, set-up adjustments, misadjustment of consumer controls, improper maintenance, power line surge, lightning damage, modification, or commercial use (such as in a hotel, office, restaurant, or other business), rental use of the product, service by anyone other than a Factory Service center or other Authorized Servicer, or damage that is attributable to acts of God.

THERE ARE NO EXPRESS WARRANTIES EXCEPT AS LISTED UNDER "LIMITED WARRANTY COVERAGE". THE WARRANTOR IS NOT LIABLE FOR INCIDENTAL OR CONSEQUENTIAL DAMAGES RESULTING FROM THE USE OF THIS PRODUCT, OR ARISING OUT OF ANY BREACH OF THIS WARRANTY. (As examples, this excludes damages for lost time, cost of having someone remove or re-install an installed unit if applicable, or travel to and from the servicer. The items listed are not exclusive, but are for illustration only.) **ALL EXPRESS AND IMPLIED WARRANTIES, INCLUDING THE WARRANTY OF MERCHANTABILITY, ARE LIMITED TO THE PERIOD OF THE LIMITED WARRANTY.**

Some states do not allow the exclusion or limitation of incidental or consequential damages, or limitations on how long an implied warranty lasts, so the exclusions may not apply to you.

This warranty gives you specific legal rights and you may also have others rights which vary from state to state. If a problem with this product develops during or after the warranty period, you may contact your dealer or Service center. If the problem is not handled to your satisfaction, then write to the warrantor's Consumer Affairs Department at the addresses listed for the warrantor.

PARTS AND SERVICE WHICH ARE NOT COVERED BY THIS LIMITED WARRANTY ARE YOUR RESPONSIBILITY.

Customer Services Directory

Obtain Product Information and Operating Assistance; locate your nearest Dealer or servicer; purchase Parts and Accessories; or make Customer Service and Literature requests by visiting our Web Site at: <http://www.panasonic.com/support> or, contact us via the web at: <http://www.panasonic.com/contactinfo>



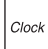







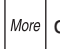






























You may also contact us directly at: **1-800-211-PANA(7262)**,
Monday-Friday 9 am-9 pm; Saturday-Sunday 10 am-7 pm, EST.

For hearing or speech impaired TTY users, TTY: 1-877-833-8855

Service in Puerto Rico

Matsushita Electric of Puerto Rico, Inc. Panasonic Sales Company Factory Servicer:
Ave. 65 de Infantería, Km. 9.5, San Gabriel Industrial Park, Carolina, Puerto Rico 00985
Phone (787)750-4300, Fax (787)768-2910

QUICK GUIDE TO OPERATION

Feature	How to Operate
To set Clock (☛page 10)	 →  →  Press once. Enter time of day. Press once.
To set Power and Time (☛page 11)	 →  →  Press to select Power Level. Set cooking time. Press.
To Use Child Safety Lock (☛page 10)	To Set:  → Press 3 times. To Cancel:  → Press 3 times.
To cook using Popcorn (☛page 12)	For NN-S744/S924/S944  →  or  or  →  Select weight. Optional. Press.
To cook using Quick Min (☛page 11)	 →  (up to 10 min.) Press.
To reheat using Auto Reheat (☛page 16)	For NN-S744/S924/S944  →  or  or  →  Press to select serving. Optional. Press.
To cook using Auto Cook (☛page 16)	For NN-S744/S924/S944  →  →  →  Press to select category. Select serving/weight. Optional. Press.
	For NN-S934  →  →  or  →  Press to select category. Select serving/weight. Optional. Press.
To defrost using Inverter Turbo Defrost (☛page 14)	 →  →  Press once. Set weight. Press.
To use as a Kitchen Timer (☛page 19)	 →  →  Press once. Set time. Press.
To Set Stand Time (☛page 19)	(Input up to 4-stage cooking programs.) →  →  →  Press once. Set time. Press.
To Set Delay Start (☛page 19)	 →  → (Input up to 4-stage cooking programs.) →  Press once. Set time. Press.



Specifications

	S744	S924	S934	S944
Power Source:	120 V, 60 Hz			
Power Consumption:	12.7 Amps, 1,460 W			
Cooking Power:*	1,200 W			1,250 W
Outside Dimensions (H x W x D):	11 ¹⁵ / ₁₆ " x 21 ⁷ / ₈ " x 19 ⁷ / ₁₆ " (304 mm x 555 mm x 493 mm)	14" x 23 ⁷ / ₈ " x 19 ⁷ / ₁₆ " (356 mm x 606 mm x 493 mm)		
Oven Cavity Dimensions (H x W x D):	9" x 16 ⁷ / ₁₆ " x 18 ¹ / ₂ " (228 mm x 418 mm x 470 mm)	10 ¹⁵ / ₁₆ " x 18 ⁷ / ₁₆ " x 18 ¹ / ₂ " (278 mm x 469 mm x 470 mm)		
Operating Frequency:	2,450 MHz			
Net Weight:	Approx. 32 lbs. (14.3 kg)	Approx. 36 lbs. (16.4 kg)		

*IEC Test procedure

Specifications subject to change without notice.

User's Record

The serial number of this product may be found on the back side of the oven. You should note the model number and the serial number of this oven in the space provided and retain this book as a permanent record of your purchase for future reference.

Model No. _____

Serial No. _____

Date of Purchase _____

Panasonic Consumer Electronics Company, Division of Matsushita Electric Corporation of America

One Panasonic Way
Secaucus, New Jersey 07094

Panasonic Sales Company, Division of Matsushita Electric of Puerto Rico, Inc. ("PSC")

Ave. 65 de Infanteria, Km. 9.5
San Gabriel Industrial Park,
Carolina, Puerto Rico 00985

Matsushita Electric Industrial Co., Ltd.

Shanghai Matsushita Microwave Oven Co., Ltd.

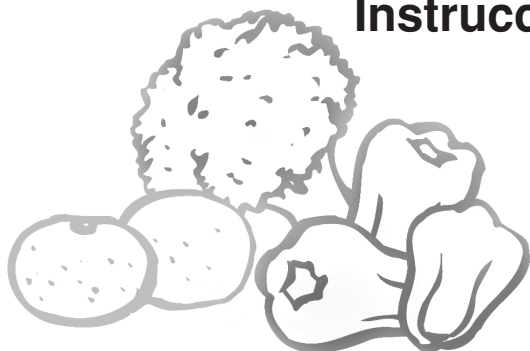
898 Long Dong Road, Pu Dong, Shanghai, China 201203

Web Site: <http://www.panasonic.co.jp/global>

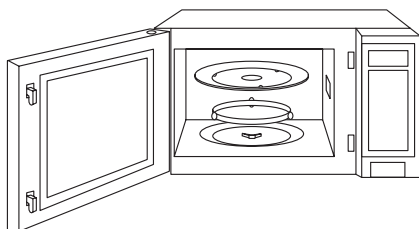


Panasonic®

Instrucciones de Operación Horno de Microondas



**Modelos: S744/S924/
S934/S944**



Información de Seguridad

Precauciones	Cubierta Interior
Instrucciones importantes de seguridad	1-3
Instrucciones para instalación y conexión a tierra	3-4
Precauciones de seguridad	5-6

Operación

Panel de Control	8-9
Vamos a empezar a usar su Horno	10
Para ajuste del reloj	10
Seguro para niños	10
Para seleccionar potencia y tiempo de Cocción	11
Función de minuto automático	11
Función de Palomitas de Maíz	12
Función de Más/menos	13
Función de Descongelación Turbo Inverter	14
Consejos y Técnicas de Descongelación	14-15
Función de Recalentamiento Automático	16
Función de Auto Cocción	16

Operación

Gráfico de cocción por Automático	17
Recetas de Microondas	18
Función de Tiempo (Tiempo de Cocción/Tiempo de reposo/Comienzo tardío)	19
Consejos Rápidos	20-21
Características de los alimentos	22
Técnicas para cocinar	22-23
Guía rápida de Operación	27

Mantenimiento

Cuidado y Limpieza de su Horno de Microondas	24
Compra de Accesorios	24
Antes de solicitar Servicio Técnico	25
Garantía Limitada y Directorio de Servicios al Consumidor	26

Información General

Guía de utensilios	7
Diagrama de Componentes del Horno	8
Especificaciones	28
Registro del usuario	28

ANTES DE OPERAR ESTE PRODUCTO, LEA ESTE INSTRUCTIVO EN SU TOTALIDAD.
For English Instructions, turn over the book.

Para asistencia, por favor llame: 1-800-211-PANA(7262)
o envíenos un correo electrónico a: consumerproducts@panasonic.com
o visítenos en www.panasonic.com (U.S.A)

Para asistencia, por favor llame: 787-750-4300
o visítenos en www.panasonicpr.com (Puerto Rico)

F00036J60AP
FLE0204-0
Impreso en China

Información de Seguridad del Horno de Microondas

Su seguridad y la seguridad de otros es muy importante.

Hemos proporcionado mensajes de seguridad importantes en este manual y en su aparato. Lea y obedezca siempre todos los mensajes de seguridad.



Éste es el símbolo de la alarma de seguridad, se utiliza para alertarle de los peligros potenciales que pueden dañar o lastimar a usted y a otros.

Todos los mensajes de seguridad seguirán el símbolo de la alarma de seguridad y cualquiera de las siguientes palabras PELIGRO, ADVERTENCIA o PRECAUCIÓN. Estas palabras significan:



PELIGRO

Usted puede resultar lastimado o dañado seriamente si usted no sigue las instrucciones de inmediato.



ADVERTENCIA

Usted puede resultar lastimado o dañado seriamente si usted no sigue las instrucciones.



PRECAUCIÓN

PRECAUCIÓN indica una situación potencialmente peligrosa que, si no es evitado, puede dar lugar a lesión de menor importancia o moderada.

Todos los mensajes de seguridad le indicaran cuál es el peligro potencial, el cómo reducir la posibilidad de lesionarse y le advierte qué puede suceder al no seguir las instrucciones.




PRECAUCIONES PARA EVITAR POSIBLE EXPOSICIÓN EXCESIVA A ENERGÍA DE MICROONDAS

- (a) No intente hacer funcionar este horno con la puerta abierta ya que esto puede resultar peligroso. Es importante no anular o forzar los mecanismos de seguridad.
- (b) No coloque ningún objeto entre el panel frontal del horno y la puerta, ni permita que se acumule basura o residuos de limpiadores en las superficies de sellado.
- (c) No haga funcionar el horno si está dañado, es importante que la puerta del horno abra y cierre apropiadamente y no haya ningún daño en:
 - (1) la puerta (combada),
 - (2) bisagras y seguro de la puerta (rotos o sueltos),
 - (3) sellos de las puertas y superficies de sellado.
- (d) El horno no deberá ser ajustado o reparado por ninguna persona, excepto el personal de servicio debidamente calificado.

Gracias por comprar este Horno de Microondas Panasonic.

Su horno de microondas es un artículo para cocinar y usted debe usarlo con tanto cuidado como usa una estufa o cualquier otro artículo para cocinar. Cuando utilice este aparato eléctrico, se deben seguir precauciones básicas de seguridad, incluyendo las siguientes:

INSTRUCCIONES IMPORTANTES DE SEGURIDAD

 ADVERTENCIA —Para reducir el riesgo de quemaduras, descarga eléctrica, incendio, heridas a personas o exposición excesiva a energía de microondas:

1. Lea todas las instrucciones antes de usar el aparato.
2. Lea y siga las “PRECAUCIONES PARA EVITAR POSIBLE EXPOSICIÓN EXCESIVA A ENERGÍA DE MICROONDAS” específicas, que se encuentran abajo.
3. Este aparato debe ser conectado a tierra. Conecte solamente a la toma eléctrica debidamente conectada a tierra. Vea las “**INSTRUCCIONES PARA CONEXION A TIERRA**” que se encuentran en la página 4.
4. Como cualquier otro aparato para cocinar, **NO DEJE** el horno desatendido cuando esta en uso.
5. Instale o ubique este aparato solamente de acuerdo con las instrucciones de instalación que se encuentran en la página 3.
6. **No** cubra ni tape ninguna de las rendijas de este aparato.
7. **No** almacene o use este aparato en exteriores. No use este aparato cerca del agua - por ejemplo, cerca del fregadero de la cocina, en una base mojada, o cerca de una alberca, y similares.
8. Use este aparato sólo para los fines para los que fue hecho, tal como se describen en este manual. **No** use químicos o vapores corrosivos en este aparato. Este tipo de horno está específicamente diseñado para calentar o cocinar alimentos. No fue diseñado para uso industrial o de laboratorio.
9. Cuando limpie las superficies de la puerta y el horno que vienen juntas al cerrar la puerta, use solamente jabones no abrasivos o detergentes suaves aplicados con una esponja o con tela suave.
10. **No** permita a los niños usar este aparato, a menos que sean supervisados muy de cerca por un adulto. **No** asuma que porque un niño ha dominado una habilidad para cocinar el/ella puede cocinar todo sin supervisión.
11. **No** use este aparato si tiene dañado el cordón o la clavija, si no está trabajando adecuadamente, o si ha sido dañado o se ha dejado caer.
12. **No** sumergir en agua el cable o la clavija.
13. Mantenga el cordón lejos de superficies calientes.
14. **No** deje el cordón colgando en el borde de la mesa o mostrador.
15. Este aparato debe recibir mantenimiento sólo de personal calificado. Contacte las instalaciones de servicio autorizadas más cercanas para revisión, reparación o ajuste.
16. Algunos productos, tales como los huevos completos y contenedores sellados - por ejemplo frascos de vidrio cerrados - pueden explotar y no deben ser calentados en este horno.
17. Para reducir el riesgo de incendio en la cavidad del horno:
 - (a) No sobrecoque los alimentos. Preste atención cuidadosa al aparato. El papel, plástico u otros materiales combustibles son colocados dentro del horno para facilitar la cocción pero si no se utilizan adecuadamente esto puede producir incendio en su horno.
 - (b) Quite los sujetadores de alambre de las bolsas de papel o plástico antes de colocar la bolsa en el horno.
 - (c) **Si el material dentro del horno se enciende, mantenga la puerta del horno cerrada, apáguelo y desconecte el cable eléctrico o apague la energía en el switch (braker) del fusible o del circuito.**
 - (d) No use la cavidad con propósitos de almacenaje. No deje productos de papel, utensilios de cocina o alimentos en la cavidad cuando no esté en uso.



INSTRUCCIONES IMPORTANTES DE SEGURIDAD

(continuación)

18. Líquidos, tales como agua, café, o té pueden ser calentados por sobre el punto de ebullición sin parecer estar ebulliendo debido a la tensión de superficie del líquido. A veces el burbujeo o ebullición no son visibles cuando el recipiente es removido del horno de microondas. ESTO PUEDE RESULTAR EN UNA EBULLICIÓN REPENTINA DEL LÍQUIDO MUY CALIENTE CUANDO SE INTRODUZCA UNA CUCHARA U OTRO UTENSILIO DENTRO DEL LÍQUIDO.
Para reducir el riesgo de heridas a personas:
- (a) **REVUELVA EL LÍQUIDO ANTES Y DURANTE EL CALENTAMIENTO.**
 - (b) **NO caliente el agua y aceite, o las grasas juntas. La película del aceite atraparé vapor, y puede causar una erupción violenta.**
 - (c) No utilice recipientes de lados rectos con cuello angosto.
 - (d) Luego del calentamiento, deje el recipiente dentro del horno de microondas por un corto tiempo antes de retirarlo.
19. **NO cocine directamente sobre el plato giratorio.** Este puede quebrarse, causando lesiones o daño al horno.

ADVERTENCIA

PARA EVITAR EL RIESGO DE DESCARGA ELÉCTRICA:

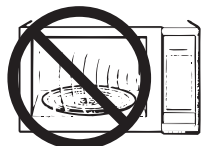
NO quite el panel externo del horno. Las reparaciones se deben hacer solamente por una persona calificada del servicio.

PARA REDUCIR EL RIESGO DE EXPOSICIÓN A ENERGÍA DE MICROONDAS:

NO altere o haga ningún ajuste o reparación a la puerta, al alojamiento del panel de control, interruptores entrecruzados de seguridad o a cualquier otra parte del horno.

PARA EVITAR EL RIESGO DE INCENDIO:

1. **NO** opere el horno vacío. La energía de microondas se reflejará continuamente a través del horno si los alimentos o agua no están presentes para absorber energía. Esto puede dañar el horno y resultar en peligro de incendio.
2. **NO** almacene los materiales inflamables al lado, encima, o dentro del horno.
3. **NO** seque telas, periódicos u otros materiales en el horno. Pueden incendiarse.
4. **NO** golpee ni pegue en el panel de control. Pueden causarse daños a los controles.
5. **NO** use productos de papel reciclado, a menos que en la etiqueta del papel se indique que puede ser utilizado en horno de microondas, ya que pueden contener impurezas que pueden causar chispas y/o incendios cuando se usen.



PARA EVITAR EL RIESGO DE QUEMADURAS:

Las manoplas para tomar cosas calientes siempre deben ser utilizadas cuando se retiren cosas del horno. El calor se transfiere de los alimentos calientes a los contenedores para cocinar y de los contenedores a la bandeja de cristal. La bandeja de cristal puede estar muy caliente después de sacar los contenedores para cocinar del horno.

GUARDE ESTAS INSTRUCCIONES

Para el uso apropiado del horno lea las precauciones restantes de seguridad e instrucciones de funcionamiento.



INSTRUCCIONES IMPORTANTES DE SEGURIDAD

(continuación)

Plato giratorio de cristal

1. **NO** opere el horno sin el anillo giratorio y el plato de cristal en su lugar.
2. **NO** ponga a funcionar el horno sin el plato giratorio de cristal ensamblado completamente en el cubo de la impulsión. El cocinar de manera incorrecta podría resultar en daños al horno. Verifique que el plato giratorio de cristal sea enganchado correctamente y observe que la rotación sea apropiada cuando presiona Encender. **Nota:** El plato giratorio puede dar vuelta en cualquier dirección.
3. Utilice solamente el plato giratorio diseñado específicamente para este horno. **NO** substituya ningún otro plato giratorio.
4. Si el plato giratorio está caliente, permita que se enfríe antes de la limpieza o de colocar en agua.
5. **NO** cocine directamente en el plato giratorio. Coloque siempre el alimento en un plato seguro para microondas.
6. Si el alimento o el utensilio en el plato giratorio toca las paredes del horno, ocasionará que el plato giratorio deje de moverse, el plato de cristal rotará automáticamente en la dirección opuesta.

Anillo Giratorio

1. El anillo giratorio y el piso del horno se deben limpiar con frecuencia para prevenir ruido excesivo.
2. Siempre vuelva a colocar el anillo giratorio y el plato de cristal en sus posiciones apropiadas.
3. El anillo giratorio se debe utilizar siempre para cocinar junto con el plato de cristal.



INSTRUCCIONES DE INSTALACIÓN

Examine Su Horno

Desempaque el horno, quite todo el material de empaque y examine que su horno no tenga ningún daño, tal como abolladuras, seguros de la puerta rotos o resquebrajaduras en la puerta. Notifique inmediatamente a su distribuidor si el horno está dañado.

Ubicación del Horno

1. El horno debe ser colocado en una superficie plana y estable. Ponga la superficie delantera de la puerta tres pulgadas o más del borde superior contrario para evitar inclinar accidentalmente el horno de microondas durante su uso normal. Para su operación apropiada, el horno debe tener suficiente corriente de aire. Deje 7,6 cm (3-pulgadas) de espacio de ambos lados del horno y 2,5 cm (1-pulgada) de espacio en la parte superior del horno.
 - (a) **NO** bloquee las ventilas del aire. Si es bloqueada la ventilación del aire durante la operación, el horno puede sobrecalentarse y quemarse.
 - (b) **NO** coloque el horno cerca de una superficie húmeda caliente, tal como un registro de gas o eléctrico.
 - (c) **NO** haga funcionar el horno cuando la humedad del lugar es excesiva.
2. Este horno está fabricado solamente para el uso del hogar. No fue construido ni probado para su uso en ningún tipo de vehículo (terrestre, marítimo, o de uso comercial).

Instalación

NO bloquee las salidas de aire. Si se bloquean durante la operación, el horno puede recalentarse. Si el horno se recalienta, un dispositivo de seguridad termal apagará el horno. El horno seguirá siendo inoperable hasta que se haya enfriado.



INSTRUCCIONES DE INSTALACIÓN

(continuación)



ADVERTENCIA

—EL USO INAPROPIADO DE LA CLAVIJA PARA

CONEXIÓN A TIERRA PUEDE RESULTAR EN RIESGO DE DESCARGA ELÉCTRICA.

Si es necesario usar un cable de extensión, use solamente cable de extensión de tres hilos que tenga una clavija de tres entradas para conectar a tierra, y un receptor de tres ranuras que acepte la clavija del aparato. El calibre marcado en el cable de extensión debe ser igual o mayor al calibre eléctrico del aparato.

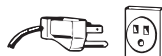
Instrucciones de Conexión a Tierra

ESTE APARATO DEBE SER CONECTADO A TIERRA. En el caso de un corto circuito, la conexión a tierra reduce el riesgo de una descarga eléctrica proporcionando una línea de escape para la corriente eléctrica. Este aparato está equipado con un cable y clavija para conexión a tierra. La clavija debe ser conectada en un receptor que esté instalado adecuadamente y conectado a tierra.

- **Enchufe en la conexión correctamente instalado y puesto a tierra de 3 entradas.**
- **NO quite el diente de tierra.**
- **NO utilice adaptador.**

Suministro Eléctrico

1. Se provee un cable de suministro eléctrico corto para reducir los riesgos resultantes de enredarse o tropezarse con un cable más largo.
2. Juegos de cable más largos o extensiones están disponibles y pueden utilizarse si se usan con cuidado. **NO** deje el cable colgar sobre el borde de la mesa o mostrador.
3. Si se usa un cable más largo o extensión, (1) el calibre eléctrico marcado en el juego de cordón o extensión debe ser al menos tan grande como el calibre eléctrico del aparato, (2) el cable de extensión debe ser de tres hilos del tipo de conexión a tierra, y (3) el cordón más largo debe ser arreglado de tal forma que no caiga sobre la cubierta del mostrador o de la mesa donde pueda ser jalado por niños o alguien pueda tropezarse accidentalmente



Requerimientos de cableado

El horno debe estar en un circuito separado. Ningún otro aparato debe compartir el circuito con el horno. Si lo hace el fusible del circuito puede estallar, el bloqueador del circuito trabarse o la comida cocinarse más lento que en los tiempos recomendados en este manual. El horno debe ser conectado en un enchufe a tierra de al menos 20 A 120 V, 60 Hz. Donde se encuentre un enchufe estándar de 2 entradas será responsabilidad - y obligación - del consumidor reemplazarlo por un enchufe a tierra de 3 entradas. El voltaje usado debe ser el mismo al especificado en el horno de microondas (120 V, 60 Hz) Usar un voltaje más alto es peligroso y puede resultar en fuego u otro accidente causando daño al horno. Usar un bajo voltaje dará como resultado un cocinado más lento.

Panasonic NO es responsable por cualquier daño que haya resultado del uso del horno con un voltaje distinto al especificado.

Interferencia de Radio o Televisión

1. La operación de su horno de microondas puede causar interferencia en su radio, TV o equipo similar.
2. Cuando hay interferencia, se puede reducir o eliminar tomando las siguientes medidas:
 - (a) Limpie la puerta y las superficies selladoras del horno.
 - (b) Ponga el radio, TV, etc. lo más lejos posible del horno de microondas.
 - (c) Use una antena instalada adecuadamente para obtener una recepción de señal más fuerte.



Sugerencias Útiles

Siga Estas Precauciones de Seguridad Cuando Cocine en Su Horno

IMPORTANTE

La cocción adecuada depende del tiempo designado y del peso de los alimentos. Si usa una porción menor de la recomendada y cocina por el tiempo para la porción recomendada, puede resultar en un incendio. Si ocurre un incendio, ponga el horno en posición de apagado y manténgalo cerrado. Desconecte la energía eléctrica o desconecte la caja de fusibles o el panel de control.

1) ENLATADO CASERO/ ESTERILIZACIÓN/ ALIMENTOS DESHIDRATADOS/ PEQUEÑAS CANTIDADES DE ALIMENTOS.

- **No use** el horno para el enlatado casero o para calentar cualquier frasco cerrado. La presión aumentará y el frasco puede explotar. Su horno no puede mantener los alimentos a la temperatura apropiada de enlatado.
- **No use** el horno de microondas para esterilizar objetos (mamas de bebe, etc). Es difícil mantener el horno a la temperatura necesaria para la esterilización.
- **No seque** carne, hierbas, frutas o vegetales en su horno. Pequeñas cantidades de alimento o alimentos con bajo contenido de humedad se pueden secar, quemar o incendiarse.

2) PALOMITAS DE MAÍZ

Las palomitas de maíz deben prepararse en un recipiente para palomitas de maíz adecuado para horno de microondas. Palomitas de maíz para horno de microondas que se preparan en su propio paquete también están disponibles. Siga las instrucciones del fabricante de palomitas de maíz y use una marca adecuada para la potencia de su horno de microondas. Nunca deje desatendido el horno cuando prepare palomitas de maíz.

PRECAUCIÓN: Cuando use palomitas de maíz para microondas previamente empacadas siga las instrucciones recomendadas en el paquete o utilice la tecla de palomitas de maíz (revise página 12). Si no se siguen estas instrucciones, las palomitas de maíz pueden no reventar adecuadamente o pueden encenderse y causar un incendio.

Nunca deje el horno desatendido, cuando están reventando las palomitas.

Permita que la bolsa de palomitas se enfríe antes de abrirse, abra siempre la bolsa lejos de su cara y cuerpo para prevenir quemaduras del vapor.

3) FREIR CON MUCHA GRASA

- **NO** trate de freír con mucha grasa en su horno de microondas. Cocinar aceites puede estallar en flamas y puede causar daño al horno y quizá acabar en quemaduras. Los utensilios de microondas pueden no ser útiles para soportar la temperatura del aceite caliente, y podrían romperse.

4) ALIMENTOS CON PIELS NO POROSAS

- **NO COCINE/RECALIENTE HUEVOS ENTEROS, CON O SIN LA CÁSCARA.** La acumulación del vapor en huevos enteros puede hacerlos estallar, y es causa de daño al horno o causa de lesión. Recalentar los huevos duros REBANADOS y cocinar los huevos revueltos es seguro.
 - Papas, manzanas, calabazas completas y salchichas son ejemplos de alimentos con pieles no porosas. Estos tipos de alimentos deben ser perforados antes de cocinarlos en microondas para evitar que estallen.
- PRECAUCIÓN:** Cocinar papas secas o viejas pueden ocasionar fuego.



5) BANDEJA DE CRISTAL/UTENSILIOS DE COCINA/PAPEL ALUMINIO

- Los utensilios para cocinar se calientan durante la cocción en microondas. Use soportes para lo caliente, cuando saque los utensilios del horno o cuando quite tapas o cubiertas de envoltura de plástico de los utensilios de cocina, para evitar quemaduras.
- La bandeja de cristal se calentará durante la cocción. Debe permitirse que se enfríe antes de manejarla o antes de colocar productos de papel, tales como platos de papel o bolsas de palomitas de maíz para microondas, para cocinar.
- Al usar papel aluminio en el horno, permita por lo menos de 1 pulgada (2,5 centímetros) de espacio entre el papel aluminio y las paredes del horno o la puerta interior.
- Platos con adornos metálicos no deberán ser usados, ya que puede producirse arco eléctrico.

6) TOALLAS DE PAPEL/TELAS

- **No use** toallas de papel o telas que contengan fibras sintéticas en su tejido. La fibra sintética puede causar que la toalla se incendie. Utilice toallas de papel bajo supervisión.

7) BANDEJA DORADORA/BOLSAS PARA COCINAR EN HORNO

- Las bandejas doradoras o asadoras son diseñadas para cocinar en microondas solamente. Siempre siga las instrucciones dadas por el fabricante. **No precaliente** la bandeja doradora más de 6 minutos.
- Si se utiliza una bolsa para cocinar en Microondas, prepare de acuerdo a las instrucciones del paquete. **No use** sujetadores de alambre para cerrar la bolsa, en su lugar utilice sujetadores de plásticos, un cordón de algodón, o la tira del extremo abierto de la bolsa.

8) TERMÓMETROS

- **No use** termómetros convencionales para alimentos en su horno. Puede producir arco. Están disponibles termómetros seguros para microondas para carne y dulce.

9) FÓRMULA DE BEBÉ/ ALIMENTOS PARA BEBÉ

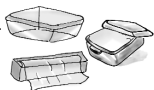
- **No caliente** la fórmula o los alimentos para el bebé en el horno de microondas. El tarro o la superficie de cristal del alimento pueden parecer tibios mientras que el interior puede resultar tan caliente que podría ocasionar quemaduras en la boca y esófago del bebe.

10) RECALENTAMIENTO DE PRODUCTOS DE REPOSTERÍA

- Cuando recaliente productos de repostería, compruebe la temperatura de cualquier relleno antes de comer. Algunos alimentos tienen rellenos que calienten más rápidamente y puedan resultar extremadamente calientes, mientras que la superficie sigue siendo tibia al tacto (Ej. Donas de jalea).

11) GUÍA DE USO GENERAL DEL HORNO/ PUERTA DEL HORNO

- **No use** el horno por cualquier razón que no sea la preparación de alimentos.



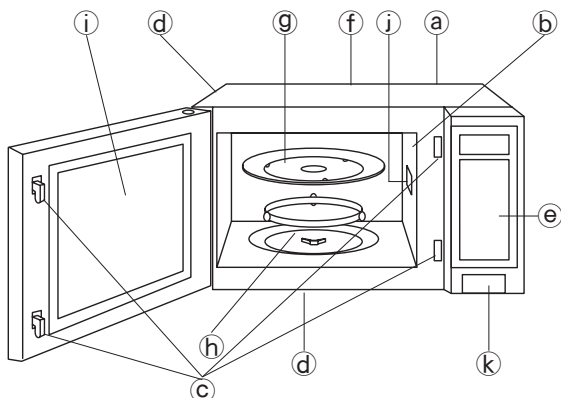
Guía de Utensilios

UTENSILIO	MICROONDAS	COMENTARIOS
Papel aluminio	Si, para protección únicamente	Pequeñas tiras de papel aluminio pueden ser utilizadas para proteger las partes más delicadas de carnes y aves. Pueden ocurrir chispas si el aluminio se encuentra muy cerca de las paredes o la puerta del horno y dañar el horno como resultado.
Platos para dorar	Si	Los platos para dorar están diseñados para cocinar con microondas solamente. Cheque la información del plato dorador para instrucciones y el gráfico de calentamiento. No precaliente por más de 6 minutos.
Bolsas de papel común	No	Pueden incendiarse.
Utensilios de cocina: Etiquetados "Para uso de microondas"	Si	Cheque las instrucciones de uso y cuidado de los fabricantes para calentar en microondas. Algunos utensilios de cocina pueden tener en la parte posterior del plato "Seguro para uso de microondas".
Utensilios de cocina no etiquetados	Si o No	Utilice PRUEBA DE RECIPIENTES abajo.
Platos desechables de poliestéer o cartón	Si	Algunos alimentos congelados están empacados en estos platos. Pueden ser comprados en tiendas de productos comestibles
Comida rápida en caja de cartón con mango de metal	No	El mango de metal puede ocasionar chispas.
Comida congelada en bandeja de metal	No	El metal puede causar chispas y dañar su horno.
Comida congelada en bandeja para Microondas	Si	Caliente solo una bandeja en el horno a la vez.
Tarros de vidrio	No	La mayoría de los tarros de cristal no son resistentes al calor. No utilice para cocinar o recalentar.
Cerámica y vidrios refractarios	Si	Ideales para cocción en horno de microondas común y dorador (Vea PRUEBA DE RECIPIENTE abajo).
Utensilios de metal para hornear	No	No recomendado para utilizar en hornos de microondas. El metal puede ocasionar chispas y dañar su horno.
Sujetadores de Alambre	No	Pueden causar chispas que causen fuego en el horno.
Bolsas para cocinar en el horno	Si	Siga las instrucciones del fabricante. Cierre la bolsa con el sujetador de nylon incluido.
Vasos y platos de papel	Si	Utilice para alimentos cocidos y para cocinar alimentos que requieren corto tiempo de cocción como los Hot dogs.
Toallas y servilletas de papel	Si	Utilice para calentar rollos y sandwiches, solo si esta etiquetado para uso seguro de microondas.
Toallas y servilletas de papel reciclado	No	Productos de papel reciclado pueden contener impurezas que pueden ocasionar chispas.
Papel pergamino	Si	Utilice como cubierta para prevenir que salpique. Seguro para uso en microondas, microondas/ convección y hornos convencionales.
Plástico: Utensilios de cocina seguros para microondas	Si, utilice con precaución	Debe estar etiquetado: "Conveniente para calentar en microondas". Siga las instrucciones y recomendaciones del fabricante. Algunos contenedores plásticos seguros para uso de microondas no son convenientes para alimentos con altos contenidos de grasa o azúcar. El calor de los alimentos calientes pueden ocasionar que el plástico se deforme.
Plástico, Melamine	No	Este material absorbe la energía de microondas. Los platos se calientan.
Tazas de uniceil	Si, use con precaución	El uniceil se derretirá si los alimentos alcanzan altas temperaturas. Utilice para recalentar alimentos únicamente a un bajo nivel de temperatura.
Plástico para envolver	Si	Use para envolver los alimentos durante la cocción, para retener la textura y prevenir que salpique. Deberá ser etiquetada "Conveniente para Calentar en Microondas". Revise las instrucciones del empaque.
Termómetros apropiados para hornos de microondas	Si	Use solamente termómetros para carne y dulce seguros para microondas.
Termómetro convencional	No	No convenientes para el uso en horno de microondas, puede causar chispas y calentarse.
Papel encerado	Si	Utilice como cubierta para prevenir salpicaduras y retener la textura.

PRUEBA DE RECIPIENTES

Prueba de seguridad del recipiente para uso en Horno de Microondas: Coloque un vaso de agua en el Horno de microondas junto al recipiente que será probado, caliente por un minuto a Potencia P10. Si el recipiente es seguro para el uso en microondas debe estar frío y el agua debe estar caliente. Si el recipiente esta caliente es porque absorbió alguna energía del microondas y no debe ser utilizado. Esta prueba no puede ser utilizada para recipientes plásticos.

Diagrama de Componentes del Horno



- (a) Ventilaciones de Aire Externas
- (b) Ventilaciones de Aire Internas
- (c) Sistema de Cierre de Seguridad de la Puerta
- (d) Ventilaciones de aire externas
- (e) Panel de control
- (f) Placa de Identificación

- (g) Bandeja de Cristal
- (h) Aro de Rodillo
- (i) Película de Barrera contra el Calor/Vapor (no extraer)
- (j) Cubierta del guía de ondas (no remover)
- (k) Botón para abrir la puerta

Panel de Control

- (1) Pantalla indicadora (Ventana de Visualización)
- (2) Tecla de Palomitas de maíz (☛ página 12)
- (3) Tecla de Descongelación Turbo Inverter (☛ página 14)
- (4) Tecla de Recalentamiento Automático (☛ página 16)
- (5) Tecla de Auto Cocción (☛ página 16)
- (6) Tecla de Porción/Peso (☛ página 16)
- (7) Tecla de Más/Menos (☛ página 13)
- (8) Teclas numéricas
- (9) Tecla de tiempo (☛ página 19)
- (10) Tecla de reloj (☛ página 10)
- (11) Tecla de Potencia (☛ página 11)

- (12) Tecla de Minuto Automático (☛ página 11)
- (13) Tecla para Encender
Un toque permite al horno empezar su función. Si la puerta está abierta o la tecla **Pausa/Cancelar** se oprime una vez durante la operación del horno, la tecla para **Encender** debe oprimirse otra vez para reanudar el trabajo del horno.
- (14) Tecla para Pausa/Cancelar
Antes de Cocinar: Un toque habilita a sus instrucciones.
Durante la cocción: Un toque detiene temporalmente el proceso de cocción. Otro toque cancela todas sus instrucciones y la hora del día aparece en la pantalla.

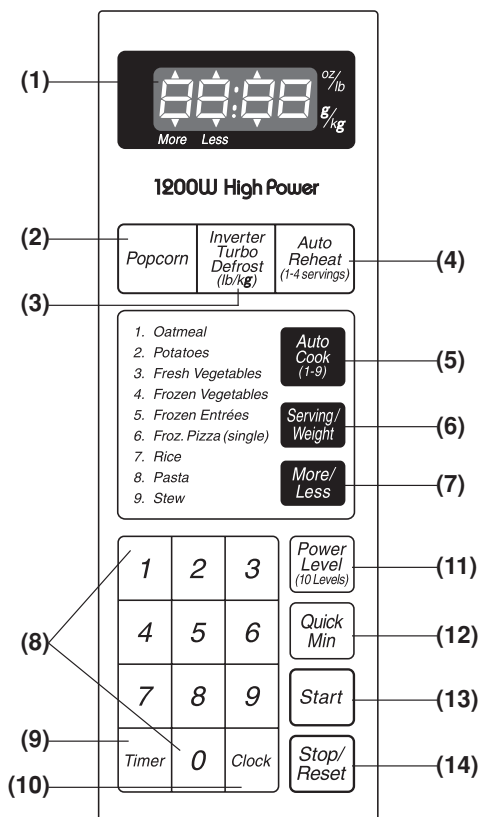
Bip:

Cuando una tecla es presionada correctamente, se escuchará un “bip”. Si una tecla es presionada y no escucha un “bip”, significa que la unidad no aceptó o no pudo aceptar la instrucción. El horno hará 2 veces “bip” entre las etapas programadas. Al final de cada programa completado, el horno hará 5 veces “bip”.

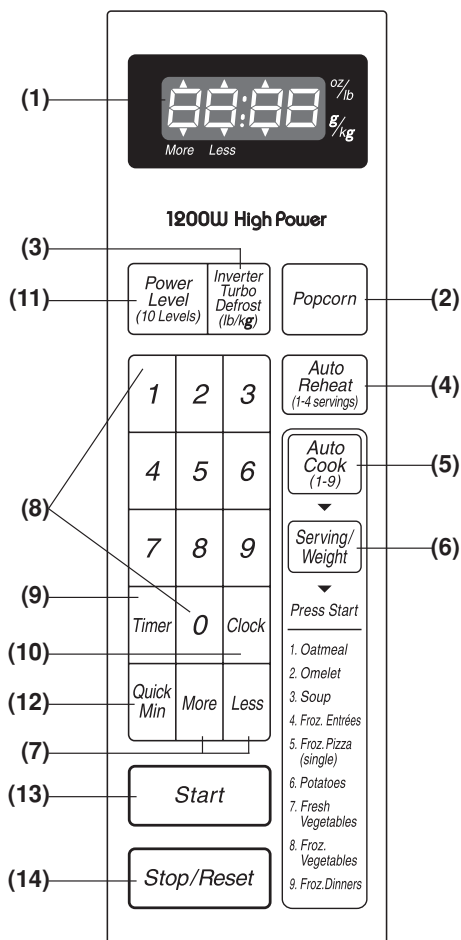
Panel de Control

(continuación)

NN-S744



NN-S934





* El panel de control para NN-S924/S944 tiene el mismo layout que NN-S744.


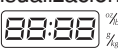

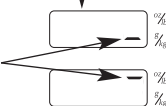



Seguro Para Niños

Esta función evita la operación del horno hasta que se cancela. No asegura la puerta.

<p>Para activar:</p> 	<ul style="list-style-type: none"> • Presione Encender 3 veces. "Child" aparecerá en la ventana de visualización. <ul style="list-style-type: none"> ➤ "Child" se mantendrá hasta que el seguro de niños sea cancelado. Las teclas del panel de control podrán ser presionadas, pero el microondas no encenderá.
<p>Para cancelar:</p> 	<ul style="list-style-type: none"> • Presione Pausa/Cancelar 3 veces. <ul style="list-style-type: none"> ➤ La Ventana de Visualización regresa a los dos puntos o la hora cuando el seguro de niños ha sido cancelado.


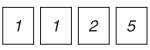

¡Vamos a empezar a usar su horno!

<p>1.</p>  <p>Ventana de Visualización</p> 	<ul style="list-style-type: none"> • Enchufe en una toma eléctrica debidamente conectada a tierra. Este horno automáticamente ajusta el sistema inglés de medida.
<p>2.</p> <p>Si desea usar g/kg:</p>  	<ul style="list-style-type: none"> • Presione Encender para convertir el sistema de medida. Verifique su selección en la ventana de visualización.
<p>3.</p> 	<ul style="list-style-type: none"> • Presione. <ul style="list-style-type: none"> ➤ Dos puntos aparecerán en la Ventana de Visualización.



Reloj

Ejemplo: Para ajustar 11:25 am o pm

<p>1.</p> 	<ul style="list-style-type: none"> • Presione la tecla de Reloj. <ul style="list-style-type: none"> ➤ punto comienza a parpadear.
<p>2.</p> 	<ul style="list-style-type: none"> • Fije la hora correcta del día. <ul style="list-style-type: none"> ➤ 11:25 aparece en la pantalla indicadora.
<p>3.</p> 	<ul style="list-style-type: none"> • Presione la tecla de Reloj. <ul style="list-style-type: none"> ➤ punto deja de parpadear. La hora está ingresada y ubicada en la pantalla indicadora.

NOTAS:

1. Para reiniciar el reloj. Repetir el paso 1 hasta el 3.
2. El Reloj seguirá marcando la hora siempre que siga recibiendo alimentación eléctrica.
3. El Reloj visualiza el horario normal basado en las 12 horas, no utiliza el horario militar.
4. El horno no funcionará mientras los dos puntos estén parpadeando.




NOTA:

Se puede configurar el función de "Seguro para niños" cuando la visualización muestra dos puntos o tiempo del día.



Para seleccionar Potencia y Tiempo de cocción

Ejemplo: Para cocinar en P6 durante 1 minuto 30 segundos.

<p>1.</p>  <p>Presione 5 veces</p>	<ul style="list-style-type: none"> Presione la tecla de potencia hasta que el nivel de potencia deseado aparezca en la ventana de visualización.
<p>2.</p> 	<ul style="list-style-type: none"> Seleccione el tiempo de cocción.
<p>3.</p> 	<ul style="list-style-type: none"> Presione ENCENDER. ➤ El tiempo de cocción aparece y empieza la cuenta regresiva.

Pulse	Nivel de Potencia
1 vez	P10 (ALTO)
2 veces	P9
3 veces	P8
4 veces	P7 (MEDIO-ALTO)
5 veces	P6 (MEDIO)
6 veces	P5
7 veces	P4
8 veces	P3 (MEDIO-BAJO)/DESC.
9 veces	P2
10 veces	P1 (BAJO)

NOTAS:

1. Para la cocción de más de una etapa, repetir los pasos 1 y 2 para cada etapa de cocción antes de presionar la tecla **Encender**. Cuando esta funcionando, sonarán dos "bips" entre cada etapa de la programación. Sonarán 5 "bips" al final de toda la secuencia.
2. Cuando se selecciona la potencia P10 (ALTO) para la primera etapa, podrá empezar en el paso 2.
3. Cuando seleccione Nivel de potencia 10 (ALTO), el máximo tiempo programable es de 30 minutos. Para otros niveles de potencia, el tiempo máximo es 99 minutos y 99 segundos.
4. Para el recalentamiento, utilizar P10 (ALTO) para líquidos, P7 (MEDIO-ALTO) para la mayoría de los alimentos y P6 (MEDIO) para los alimentos densos.
5. Para descongelamiento P3 (MEDIO-BAJO).



No sobre cocine los alimentos. Este horno requiere menos tiempo para cocinar que las unidades viejas. Sobre cocinar puede ocasionar que los alimentos se sequen y puede causar fuego. La potencia de cocción del horno de microondas le indican la cantidad de potencia de microondas disponible para cocinar.



Minuto Automático

Esta función le permite ajustar y/o añadir tiempos de cocción fácilmente en múltiplos de un minuto.

Para seleccionar tiempo de cocción:

<p>1.</p> 	<ul style="list-style-type: none"> Seleccione Minuto Automático hasta seleccionar el tiempo deseado de cocción (hasta 10 minutos) aparece en la ventana de visualización. El nivel de potencia pre-seleccionado es P10.
<p>2.</p> 	<p>Presione Encender. Inicia la cocción y el tiempo empieza a transcurrir. Al final de la cocción, sonarán 5 "bips".</p>

NOTAS:




1. Para utilizar otros niveles de potencia, presionar de nivel de Potencia y a continuación minuto automático.
2. Si utiliza minuto automático no podrá utilizar teclas de numéricas.
3. La tecla de Minuto automático puede ser utilizado para agregar más tiempo durante la cocción manual.




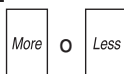

Palomitas de Maíz

Ejemplo: Para cocinar 99 g de palomitas de maíz

Para NN-S744/S924/S944:

<p>1.</p>  <p>Presione 1 vez</p>	<ul style="list-style-type: none"> Presione la tecla de palomitas de maíz hasta que el peso deseado aparezca en la ventana de visualización. <table border="1" data-bbox="239 373 494 479"> <thead> <tr> <th>Presionar</th> <th>Peso</th> </tr> </thead> <tbody> <tr> <td>1 vez</td> <td>99 g (3,5 oz)</td> </tr> <tr> <td>2 veces</td> <td>85 g (3,0 oz)</td> </tr> <tr> <td>3 veces</td> <td>50 g (1,75 oz)</td> </tr> </tbody> </table>	Presionar	Peso	1 vez	99 g (3,5 oz)	2 veces	85 g (3,0 oz)	3 veces	50 g (1,75 oz)
Presionar	Peso								
1 vez	99 g (3,5 oz)								
2 veces	85 g (3,0 oz)								
3 veces	50 g (1,75 oz)								
<p>2.</p>  <p>Opcional</p>	<p>(vea la función de Más/Menos.)</p>								
<p>3.</p> 	<ul style="list-style-type: none"> Presione ENCENDER. <ul style="list-style-type: none"> Tras varios segundos, se muestra el tiempo de preparación en la ventana de visualización y comienza a transcurrir el tiempo. 								

Para NN-S934:

<p>1.</p>  <p>Presione 1 vez</p>	<ul style="list-style-type: none"> Presione la tecla de palomitas de maíz hasta que el peso deseado aparezca en la ventana de visualización. <table border="1" data-bbox="239 1039 494 1144"> <thead> <tr> <th>Presionar</th> <th>Peso</th> </tr> </thead> <tbody> <tr> <td>1 vez</td> <td>99 g (3,5 oz)</td> </tr> <tr> <td>2 veces</td> <td>85 g (3,0 oz)</td> </tr> <tr> <td>3 veces</td> <td>50 g (1,75 oz)</td> </tr> </tbody> </table>	Presionar	Peso	1 vez	99 g (3,5 oz)	2 veces	85 g (3,0 oz)	3 veces	50 g (1,75 oz)
Presionar	Peso								
1 vez	99 g (3,5 oz)								
2 veces	85 g (3,0 oz)								
3 veces	50 g (1,75 oz)								
<p>2.</p>  <p>Opcional</p>	<p>(vea la función de Más/Menos.)</p>								
<p>3.</p> 	<ul style="list-style-type: none"> Presione ENCENDER. <ul style="list-style-type: none"> Tras varios segundos, se muestra el tiempo de preparación en la ventana de visualización y comienza a transcurrir el tiempo. 								

NOTAS PARA PALOMITAS DE MAÍZ:

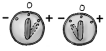
- Cocine una bolsa de palomitas cada vez.
- Ponga la bolsa en el interior del horno de acuerdo a las instrucciones del fabricante.
- Inicie a cocinar las palomitas a la temperatura ambiente.
- Permita que las palomitas de maíz preparadas permanezcan cerradas por unos minutos.
- Abra la bolsa cuidadosamente para prevenir quemaduras, el vapor puede salir.
- No recaliente las palomitas que no se hicieron ni bolsas re-usadas.

NOTA:

Si el paquete de palomitas es de un peso diferente al listado, siga las instrucciones que aparecen en el paquete. **Nunca deje el paquete desatendido.** Pare el horno cuando las palomitas tardan en estallar de 2 segundos a 3 segundos. **Sobre cocinar puede causar un incendio.**

NOTA:

Cuando se preparen varias bolsas una tras otra, el tiempo de preparación puede variar ligeramente. Esto no afecta al resultado de las palomitas.



Función Más/Menos

Para Palomitas de Maíz:

Utilizando la función de **Más/Menos**, los programas para cocinar palomitas pueden ser ajustados por más largo o corto tiempo si se desea.

Para NN-S744/S924/S944:

**More/
Less**

- 1 pulsación = Agrega aproximadamente 10 segundos
- 2 pulsaciones = Agrega aproximadamente 20 segundos
- 3 pulsaciones = Reduce aproximadamente 10 segundos
- 4 pulsaciones = Reduce aproximadamente 20 segundos
- 5 pulsaciones = Ajuste original

Para NN-S934: : Agrega tiempo

: Reduce tiempo

- Más 2 = Agrega aproximadamente 20 segundos
- Más 1 = Agrega aproximadamente 10 segundos
- Ajuste original
- Menos 1 = Reduce aproximadamente 10 segundos
- Menos 2 = Reduce aproximadamente 20 segundos

Presione la tecla **Más/Menos** antes de presionar **Encender**.

Para el Recalentamiento/Cocción automático:

Las preferencias para el punto de cocción varían de acuerdo a la persona. Luego de utilizar la función de **Recalentamiento/Cocción automático** algunas veces, podrá decidir si prefiere que su comida sea cocinada en un punto de cocción diferente.

Para NN-S744/S924/S944:

**More/
Less**

- 1 pulsación = Más (Agrega aproximadamente 10% de tiempo)
- 2 pulsaciones = Menos (Reduce aproximadamente 10% de tiempo)
- 3 pulsaciones = Selección original

Para NN-S934: : Agrega tiempo

: Reduce tiempo

- Más 1 = Agrega aproximadamente 10% de tiempo
- Selección original
- Menos 1 = Reduce aproximadamente 10% de tiempo

Presione la tecla **Más/Menos** antes de presionar **Encender**.



Descongelación Turbo Inverter

Esta función le permite descongelar carne, productos avícolas y pescado con sólo introducir el peso.

Ejemplo: Para descongelar 1,5 kg de carne.

Coloque la comida en un plato adecuado para el uso de microondas.




<p>1.</p> 	<ul style="list-style-type: none"> Presione la tecla de Descongelación Turbo Inverter.
<p>2.</p> 	<ul style="list-style-type: none"> Introducir el peso utilizando las teclas de número.
<p>3.</p> 	<ul style="list-style-type: none"> Presione ENCENDER. El tiempo de descongelado aparece y empieza la cuenta regresiva. A la mitad del descongelamiento, cuando suene "bip". Apáguelo, reacomode la comida, remueva las áreas descongeladas o protéjalas con láminas de aluminio.

Tabla de Conversión:

Siga la tabla para convertir onzas o cientos de una libra en décimos de una libra. Para utilizar la Descongelación Turbo Inverter, ingrese el peso de los alimentos en libras (1,0) y décimos de una libra (0,1). Si una pieza de carne pesa 1,95 libras o 1 libra 14 onzas, ingrese 1,9 libras.

Onzas	Centésimos de una libra	Décimos de una libra
0	0,01 - 0,05	0,0
1 - 2	0,06 - 0,15	0,1
3 - 4	0,16 - 0,25	0,2
5	0,26 - 0,35	0,3
6 - 7	0,36 - 0,45	0,4
8	0,46 - 0,55	0,5
9 - 10	0,56 - 0,65	0,6
11 - 12	0,66 - 0,75	0,7
13	0,76 - 0,85	0,8
14 - 15	0,86 - 0,95	0,9



Consejos y Técnicas de Descongelación

Preparación para Congelar:

1. Congelar carnes, carne de ave y pescado en paquetes con sólo 1 capa o 2 capas de alimentos. Colocar papel encerado entre las capas.
2. Empacar en envolturas de plástico resistentes (etiquetadas "Para Congelador") o papel congelador.
3. Remover tanto aire como sea posible.
4. Coloque el sello de seguridad con fecha y etiqueta.

Para Descongelar:

1. Quitar la envoltura. Esto ayuda a que la humedad se evapore. Los jugos de los alimentos pueden calentarse y cocinar los alimentos.
2. Colocar los alimentos en un plato adecuado para uso de microondas.
3. Colocar el lado de la grasa del asado hacia abajo. Colocar el lado de la pechuga del ave entera hacia abajo.
4. Seleccionar potencia y tiempo mínimo para que estos alimentos debajo sean descongelados.
5. Drene los líquidos durante el descongelamiento.
6. Voltee los alimentos durante el descongelamiento.
7. Proteja bordes y extremos si es necesario (Vea Técnicas de Cocción).

Después de Descongelar:

1. Los artículos grandes pueden estar congelados del centro. La descongelación será completada durante el TIEMPO DE REPOSO.
2. Reposo, cubierta, instrucciones después del tiempo de reposo en página 15.
3. Enjuague los alimentos como se indica en el cuadro.
4. Artículos que han sido colocados en capas deberán ser enjuagados por separado o tener mayor tiempo de reposo.



Consejos y Técnicas de Descongelación

(continuación)

Alimento	Tiempo de descongelación (min/kg) (P3)	Durante la descongelación	Después de la descongelación	
			Tiempo de reposo	Enjuagar (agua fría)
Pescado y Marisco [hasta 1,4 kg (3 libras)]				
Carne de Cangrejo	6	Romper y separar/Reordenar	5 minutos	Sí
Bistecs de Pescado	4 a 6	Dar la vuelta		
Filetes de Pescado	4 a 6	Dar la vuelta/Reordenar/Proteger extremos		
Raciones preparadas	4 a 6	Separar/Extraer trozos congelados		
Pescado entero	4 a 6	Dar la vuelta		
Carne				
Carne Molida	4 a 5	Dar la vuelta/Extraer parte descongelada/ Proteger bordes	10 minutos	No
Asados [1,1 kg-1,8 kg (2½ lb-4 lb)]	4 a 8	Dar la vuelta/Proteger extremos y superficie descongelada	30 minutos en frigorífico	
Chuletas/Bistec	6 a 8	Dar la vuelta/Volver a ordenar/ Proteger extremos y superficie descongelada	5 minutos	
Costillas/T-bone	6 a 8	Dar la vuelta/Volver a ordenar/ Proteger extremos y superficie descongelada		
Carne de Cocido	4 a 8	Separar/Volver a ordenar/ Extraer partes descongeladas		
Hígado (cortado finamente)	4 a 6	Extraer el líquido/Dar la vuelta/ Separar piezas		
Tocino, rebananas	4	Dar la vuelta	----	
Carne de Ave				
Pollo entero [hasta 1,4 kg (3 libras)]	4 a 6	Dar la vuelta/Proteger	20 minutos en frigorífico	Sí
Cortes	4 a 6	Separar/Dar la vuelta/ Extraer partes descongeladas	5 minutos	
Trozos	4 a 6	Separar/Dar la vuelta/Proteger	10 minutos	
Aves de Caza	6 a 8	Dar la vuelta/Proteger	20 minutos en frigorífico	
Pechuga de Pavo [2,3 kg-2,7 kg (5 lb-6 lb)]	6	Dar la vuelta/Proteger		





Función de Recalentamiento Automático




Esta característica le permite recalentar de 1 porción a 4 porciones precocidas a temperatura ambiente o del refrigerador sin poner potencia ni tiempo.

Ejemplo: Para recalentar 2 servicios

Para NN-S744/S924/S944:

1.  Presione 2 veces	• Presione la tecla de Recalentamiento Automático hasta que el peso deseado aparezca en la ventana de visualización.
2.  Opcional	(ver Función Más/Menos) (☛ página 13)
3. 	• Presione Encender . ➤ El tiempo de reca lentamiento aparece y empieza la cuenta regresiva.

Para NN-S934:

1.  Presione 2 veces	• Presione la tecla de Recalentamiento Automático hasta que el peso deseado aparezca en la ventana de visualización.
2.  Opcional	(ver Función Más/Menos) (☛ página 13)
3. 	• Presione Encender . ➤ El tiempo de reca lentamiento aparece y empieza la cuenta regresiva.

Pulsar la tecla recalentamiento automático para indicar el número o los servicios	Tamaño promedio del servicio	Tiempo
1 vez	110 g-180 g (4 oz-6 oz)	variará
2 veces	225 g (8 oz)	dependiendo
3 veces	335 g (12 oz)	del tamaño y
4 veces	450 g (16 oz)	de la potencia del horno.

Para obtener los mejores resultados seguir estas recomendaciones

1. Todos los alimentos deben cocinar previamente.
2. Los alimentos siempre se deben cubrir sin demasiada firmeza con envoltura plástica, papel parafinado o una tapa de cazuela.
3. Todos los alimentos deberían disponer de un tiempo de reposo cubiertos de 3 minutos a 5 minutos.

4. **NO** recalentar pan o productos de pastelería utilizando el Recalentamiento Automático. En vez este método, utilizar la potencia y la hora manual.
5. **NO** recalentar las bebidas.
6. Los tiempos están basados en un tamaño de servicio aproximado de 110 g (4 onzas).
7. Un plato de comida proporciona normalmente de 3 servicios 4 servicios.







Función de Auto Cocción

Esta función le permite cocinar su comida favorita y algunas nuevas recetas usando el Sistema de Cocción Inverter. Con estos códigos usted podrá cocinar sin preocuparse de la potencia o el tiempo. Estos alimentos han sido probados con tiempos pre-establecidos para las cantidades especificadas en el cuadro de abajo. Fluctuaciones locales de energía y el gusto individual no han sido tomados en cuenta. Si prefiere sus alimentos cocinados de diferente forma use las instrucciones en la página 11. "Operación Manual".

Ejemplo: Para cocinar 300 g de Entradas Congeladas

Para NN-S744/S924/S944:

1.  Presione 5 veces	• Presione hasta que el número de la categoría deseada aparezca en la ventana de visualización.
2. 	• Presione la tecla de Porciones/Peso hasta que el peso deseado aparezca en la ventana de visualización.
3.  Opcional	(ver Función Más/Menos) (☛ página 13)
4. 	• Presione Encender . ➤ El tiempo de reca lentamiento aparece y empieza la cuenta regresiva.

Para NN-S934:





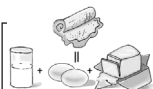
1.  Presione 4 veces	• Presione hasta que el número de la categoría deseada aparezca en la ventana de visualización.
2. 	• Presione la tecla de Porciones/Peso hasta que el peso deseado aparezca en la ventana de visualización.
3.  Opcional	(ver Función Más/Menos) (☛ página 13)
4. 	• Presione Encender . ➤ El tiempo de reca lentamiento aparece y empieza la cuenta regresiva.



Gráfico de cocción por Automático

Receta	Porción/Peso	Consejos
Cereal	0,5 taza, 1 taza (40 g, 80 g)	Coloque un platón especial para microondas dentro del horno. Siga las instrucciones del fabricante para preparar una rápida avena.
Omelet (solo para NN-S934)	2 huevos, 4 huevos	Seguir la receta básica para tortilla de la pagina 18.
Sopa (solo para NN-S934)	1 taza, 2 tazas (250 ml, 500 ml)	Verter la sopa en un recipiente para microondas. Cubrir ligeramente con la tapa o película plástica perforada. Revuelva después de cocinar.
Papas	4 máximo (170 g - 225 g) (6 oz - 8 oz cada uno)	Perfore cada papa con un tenedor 6 veces alrededor de toda la superficie. Coloque la papa o papas alrededor del borde del plato giratorio alineado de una toalla de papel por lo menos a 1 pulgada (2,5 cm) de distancia. No cubrir, dejelo estar 5 minutos para completar la cocción.
Vegetales Frescos	110 g, 225 g, 340 g, 450 g (4 oz, 8 oz, 12 oz, 16 oz)	Todos los trozos deben ser del mismo tamaño. Lave profundamente, agrega 1 cucharada de agua por cada 1/2 taza de vegetales, y cubra sin cerrar con la tapa o una envoltura de plástico perforada. No agregue sal o mantequilla hasta después de cocinar.
Vegetales Congelados	170 g, 300 g, 450 g (6 oz, 10 oz, 16 oz)	Lave profundamente, agregue 1 cucharadas de agua por cada 1/2 taza de vegetales, y cubra sin cerrar con la tapa o una envoltura de plástico perforada. No agregue sal o mantequilla hasta después de cocinar. (No se recomienda para los vegetales en mantequilla o salsa.) Después de 2 tonos, revuelva o cambie.
Entradas Congeladas	225 g, 300 g, 600 g, 900 g (8 oz, 10 oz, 20 oz, 32 oz)	Siga las instrucciones del fabricante para la preparación. Después de 2 tonos, revuelva o cambie. Tenga cuidado al quitar la cubierta de la película después de cocinar. Aléjelo de usted al quitar la cubierta para evitar quemaduras de vapor. Si es necesario tiempo adicional continúe cocinando manualmente.
Pizza congelada (individual)	225 g (8 oz)	Seguir las instrucciones del fabricante.
Arroz (solo para NN-S744/ S924/S944)	0,5 taza, 1 taza, 1,5 tazas (110 g, 220 g, 335 g)	Coloque el arroz con un capa de agua caliente en un plato especial para microondas. Cubra con la tapa o con una envoltura de plástico perforada. Deje reposar de unos 5 a 10 minutos antes de servir.
Pasta (solo para NN-S744/ S924/S944)	56 g, 110 g, 170 g, 225 g (2 oz, 4 oz, 6 oz, 8 oz)	Coloque la pasta con una capa de agua caliente dentro un plato especial para Microondas. Cubra sin cerrar con la tapa o una envoltura de plástico perforada.
Guisado (solo para NN-S744/ S924/S944)	1 taza, 2 tazas	Vacíe los contenidos de la lata en una cazuela apta para microondas. Cubra con la tapa o con film plástico perforado. Revuelva después de cocinar.
Cena Congelada (solo para NN-S934)	300 g, 450 g (11 oz, 16 oz)	Siga las instrucciones del fabricante de cuando poner o remover las tapas. No use alimentos congeladas empaquetado en plato con papel de aluminio.



Recetas de Microondas

OMELET (TORTILLA)

Omelet básica (Tortilla)

- 1 cucharada de mantequilla o margarina
- 2 huevos
- 2 cucharadas de leche
- sal y pimienta negra, si así se desea

Calentar mantequilla de 9 pulgadas del plato del pie, 20 segundos en Potencia P10, o hasta derretirla. Gire el plato para cubrir todo el fondo con mantequilla. Mientras tanto, combine el resto de los ingredientes en un tazón separado, bata todo y colóquelo en el plato del pay. Cocine cubriendo con 00la envoltura plástica mencionada, usando la selección del Omelet (para el modelo NN-S934) o cocine en la potencia P6 por 3-4 minutos (para los modelos NN-S744/S924/S944). Deje en reposo 2 minutos. Con una espátula, afloje los bordes del omelet del plato, doble en 3 para servir. Siempre utilice huevos revueltos.

1 servicio

Tiempo aprox. 4 minutos.

NOTA: duplicar la cantidad de ingredientes para un omelet (tortilla) de 4 huevos.

GUISOE

Pastel de carne

- 1 kilo de ternera picada
- 125 g de guisantes congelados, ya descongelados
- 60 g de cebolla picada
- 1 cucharada sopera de caldo de carne
- 1/2 cucharada pequeña de curry en polvo
- 1/4 cucharada pequeña de sal
- 1/4 cucharada pequeña de pimienta negra molida
- 500 g de puré de papa

En una cacerola 2 cuartos. revuelva el fondo de la carne y cocina por 5 minutos – 7 minutos a Potencia P6 o hasta que la carne este cocida, remueva dos veces. Agregar el resto de los ingredientes, excepto las papas. Remueva bien, y después unte uniformemente las papas uniformemente en la parte de arriba. Cubrir con una tapa o plástico auto adherible ventilado y cocine en Potencia P5 por 16 minutos – 18 minutos.

Servicios: 4

Macarrones con queso

- 60 g de mantequilla
- 2 cucharadas soperas de cebolla picada
- 1 diente de ajo picado
- 60 g de harina
- 1 cucharada pequeña de mostaza seca
- 1 cucharada pequeña de sal
- 1/4 cucharada pequeña de pimienta negra molida
- 500 ml de leche
- 500 g de queso cheddar rallado
- 225 g de macarrones, hervidos y colados
- 120 g de pan molido
- 1 cucharada pequeña de pimienta dulce

En una cacerola 2 cuartos. derretir la mantequilla por 40 segundos a potencia P10. Agregue cebolla y ajo y cocine por 1 minuto a Potencia P10. Revuelva en harina, mostaza, sal y pimienta, y gradualmente agregue leche. Cocine por 3 minutos – 4 minutos en potencia P10 hasta que la salsa espese, remueva una vez. Agregue el queso cheddar, revuelva a fondo. Vierta y revuelva la salsa en los macarrones, en una cacerola 3 cuartos. Agregue al final migajas de pan y paprika. Cubra con una tapa o plástico auto adherible ventilado. Cocine en potencia P6 por 16 minutos – 18 minutos.

Servicios: 6

Guiso de carne y macarrones

- 1 kilo de carne picada
 - 1 cebolla pequeña picada
 - 1/2 pimienta verde picado
 - 250 g de apio picado
 - 2 latas (425 g) de salsa de tomate
 - 375 ml de agua
 - 250 g de caracolas sin cocer
 - 1 cucharada pequeña de perejil
 - 1/2 cucharada pequeña de sal
 - 1/4 cucharada pequeña de pimienta negra molida
 - 125 g de queso cheddar rallado
- Desmenuce la carne picada en una cacerola 3 cuartos. Cocine por 5 minutos – 7 minutos a potencia P6 o hasta que la carne este cocida. Revuelva 2 veces. Revuelva en cebolla, pimienta y apio. Cocine por 3 minutos – 4 minutos a Potencia P10. Remueva con el resto de los ingredientes, excepto el queso. Cubra con una tapa o plástico auto adherible ventilado. Cocine en Potencia P6 por 16 minutos – 18 minutos. Rocíe el queso. Cubra y deje en reposo 5 minutos.

Servicios: 4-6

Atún

- 1 lata (170 g) de atún desecado y desmigado
- 1000 g de fideos hervidos y escurridos
- 1 lata (290 g) de crema de champiñón
- 1 lata (110 g) de champiñones hervidos y escurridos
- 1 paquete (450 g) de guisantes congelados, ya descongelados
- 190 ml de leche
- 250 g de papas fritas trituradas
- 125 g de queso cheddar rallado

En una cacerola 3 cuartos. combine atún, fideos, sopa, champiñones, chícharos y leche; mezcle bien. Cubra con tapa o plástico auto adherible ventilado. Cocine en potencia P6 por 16 minutos – 18 minutos. Cubra con papas fritas y queso después de servir.

Servicios: 4-6






Temporizador

Esta característica le permite programar el tiempo después de que la cocción ha sido completada y programar el horno con un tiempo de espera y/o un comienzo tardío.






Para usar como temporizador en la cocina:

Ejemplo: Para contar 5 minutos

1. 	• Presione Tiempo .
2. 	• Indique la cantidad de tiempo (hasta 99 minutos y 99 segundos).
3. 	• Presione Encender . ➤ El Temporizador realizará la cuenta regresiva. No se realizará ningún tipo de cocción.

Para fijar un tiempo de espera o tiempo de reposo:

Ejemplo: Para cocinar con la potencia P6 por 3 minutos, con un tiempo de reposo de 5 minutos.




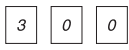

1.  Presione 5 veces	• Indique el programa de cocción deseado (ver página 11 para instrucciones).
2. 	Seleccione el tiempo deseado de cocción utilizando las teclas numéricas.
3. 	• Presione Tiempo .
4. 	Seleccione el tiempo deseado de cocción utilizando las teclas numéricas.
5. 	• Presione Encender . ➤ Después de la cocción el tiempo de reposo empezará a contar en forma descendente sin que el horno esté funcionando.

PRECAUCIÓN.

Si la lámpara del horno está encendida cuando se está utilizando el temporizador, el horno está programado incorrectamente. Detenga el horno inmediatamente y vuelva a leer las instrucciones.

Para programar un comienzo tardío:

Ejemplo: Para retrasar el comienzo por 5 minutos, y cocinar a la Potencia P6 por 3 minutos.

1. 	• Presione Tiempo .
2. 	• Introduzca la cantidad de tiempo de espera que se desea utilizando las teclas numéricas: (hasta 99 minutos y 99 segundos)
3.  Presione 5 veces	• Seleccione el programa de cocción (ver página 11 para instrucciones).
4. 	Seleccione el tiempo deseado de cocción utilizando las teclas numéricas.
5. 	• Presione Encender . ➤ Cuando el tiempo demorado comience la cuenta regresiva y éste haya finalizado la cocción iniciará.

NOTA:

1. Cuando cada etapa finalice, sonarán 2 bips como indicación. Al final del programa, el horno hará 5 bips.
2. Si la puerta del horno es abierta durante el Tiempo de Reposo, El Cronometro de Cocina o el comienzo tardío, el tiempo en la ventana de visualización seguirá contando el tiempo.
3. El tiempo de reposo y Comienzo tardío no pueden ser programados antes de ninguna función automática. Esto previene que el inicio de temperatura de los alimentos de antes de descongelar o al comienzo de la cocción. Un cambio en la temperatura de inicio puede causar resultados inapropiados.



Consejos Rápidos

ALIMENTOS	POTENCIA	TIEMPO	INSTRUCCIONES
Tocino, Separado, 1 libra (450 g)	P10 (ALTO)	30 s	Quite la envoltura. Después de calentar, use una espátula de plástico para separar las rebanadas.
Azúcar Morena, Suavizada 1 taza (250 ml)	P10 (ALTO)	20 s a 30 s	Coloque 1 taza de azúcar morena (250 g) en el plato con una rebanada de pan o un trozo de manzana. Cubra con envoltura plástica.
Para ablandar la Mantequilla, 1 varilla, ¼ de libra (110 g)	P3 (MEDIANO-BAJO)	1	Retirar el envoltorio y poner la mantequilla en un recipiente adecuado para el microondas.
Para derretir la Mantequilla, 1 varilla, ¼ de libra (110 g)	P6 (MEDIANO)	1 min. 30 s a 2 min.	Retirar el envoltorio y poner la mantequilla en un recipiente adecuado para microondas cubierto con un envoltorio de plástico.
Chocolate, Derretido, 1 cuadro (28 g)	P6 (MEDIANO)	1 min. a 1 min. 30 s	Quite la envoltura y coloque el chocolate en el plato, remueva antes de añadir mas tiempo. El chocolate conserva su forma aún cuando se suaviza.
Chocolate, Derretido, ½ taza de chispas (125 ml)	P6 (MEDIANO)	1 min. a 1 min. 30 s	
Coco, Pan Tostado, ½ taza (125 ml)	P10 (ALTO)	1 min.	Colóquelos en un molde de tarta o en tazón. Remueva cada 30 segundos.
Queso Crema, Suavizado, 225 g (8 oz)	P3 (MEDIANO-BAJO)	1 min. a 2 min.	Quite la envoltura y colóquelo en un plato.
Para dorar La orilla de la Carne, 450 g (1 libra)	P10 (ALTO)	4 min. a 5 min.	Deshebre en un colador seguro para uso de microondas en otro plato. Cubra con papel auto adherible. Revolver 2 veces. Drenar la grasa.
Para cocinar Vegetales, Frescos (225 g) (½ lb)	P8	3 min. 30 s a 4 min.	Todos los trozos deben ser del mismo tamaño. Lave profundamente, agrega 1 cucharada de agua por cada ½ taza de vegetales, y cubra sin cerrar con la tapa o una envoltura de plástico perforada. No agregue sal o mantequilla hasta después de cocinar.
Descongelar (285 g) (10 oz)	P8	3 min. 30 s a 4 min.	Lave profundamente, agregue 1 cucharadas de agua por cada ½ taza de vegetales, y cubra sin cerrar con la tapa o una envoltura de plástico perforada. No agregue sal o mantequilla hasta después de cocinar. (No se recomienda para los vegetales en mantequilla o salsa.)
Enlatados (430 g) (15 oz)	P8	3 min. 30 s a 4 min.	Vacíe los contenedores en un tazón para uso seguro en microondas. No Cubrir.



Consejos Rápidos *(continuación)*

ALIMENTOS	POTENCIA	TIEMPO	INSTRUCCIONES
Para cocinar Papa Horneada, (170 g - 225 g) (6 oz - 8 oz cada una) 1 2	 P8 P8	 3 min. 30 s a 4 min. 6 min. a 7 min.	Perforar cada papa con un tenedor 6 veces alrededor de toda la superficie. Colocar la papa o papas alrededor del borde de la bandeja de cristal (giratoria), al menos 1 pulgada (2,5 cm) separado, No cubrir. Deje en reposo 5 minutos para completar la cocción.
Para vapor en las toallas de mano – 4	P10 (ALTO)	20 s a 30 s	Remojar en agua, después escurrir el exceso. Coloque en un plato seguro para uso en microondas. Caliente. Presente inmediatamente.
Helado, Suavizado, ½ galón (2 litro)	P3 (MEDIANO-BAJO)	1 min. a 1 min. 30 s	Revise frecuentemente para evitar que se derrita.
Taza de agua 1 taza (250 ml) 2 taza (500 ml)	P10 (ALTO) P10 (ALTO)	1 min. 30 s a 2 min. 2 min. 30 s a 3 min.	Los líquidos calientes pueden hacer erupción si no son mezclados con aire. No caliente líquidos en su horno de microondas sin removerlos primero.
Taza de leche 1 taza (250 ml) 2 taza (500 ml)	P7 (MEDIANO-ALTO) P7 (MEDIANO-ALTO)	1 min. 30 s a 2 min. 2 min. 30 s a 3 min.	
Para asar nueces, 1½ tazas (375 ml)	P10 (ALTO)	3 min. a 4 min.	Esparcir las nueces a 9 pulgadas (23 cm) en un plato de pay seguro para uso de microondas. Revolver ocasionalmente.
Para asar Semillas de Sésamo, ¼ taza (60 ml)	P10 (ALTO)	2 min. a 2 min. 30 s	Colocar en un tazón pequeño seguro para uso en microondas. Remover 2 veces.
Para piel de tomates, (uno a la vez)	P10 (ALTO)	30 s	Colocar el tomate en un tazón seguro para el uso en microondas que contenga agua hirviendo. Enjuagar y Pelar. Repita para cada tomate.
Para Quitar Olores, del Horno	P10 (ALTO)	5 min.	Combine 1 taza (250 ml) a 1 ½ (375 ml) tazas de agua con el jugo y piel de un limón en una taza pequeña. Después de calentar limpie el interior del horno con una tela suave.

Características de los Alimentos

Huesos y Grasas

Tanto los huesos como la grasa afectan la cocción. Los huesos pueden causar cocción irregular. La carne cercana a las puntas de los huesos puede sobre cocinarse en tanto que la carne ubicada bajo un hueso largo, tal como un hueso de jamón, puede resultar crudo. Grandes cantidades de grasa absorben energía de microondas y la carne cercana a estas áreas puede sobrecocinarse.



Densidad

Alimentos porosos, como panes, pasteles o rollos toman menos tiempo para cocinar que los alimentos pesados y densos como papas y asados. Cuando recalienta donas o otros alimentos con diferentes centros sea muy cuidadoso. Algunos alimentos tienen centros hechos con azúcar, agua, o grasa y estos centros atraen las microondas (Por ejemplo, donas de jalea). Cuando la jalea de la dona es calentada, la jalea esta extremadamente caliente y el exterior solo parece tibio al tacto. Esto puede resultar en una quemadura si no se permite que el alimento se enfríe apropiadamente del centro.



Cantidad

Dos papas toman más tiempo para cocinarse que una papa. Así como se aumenta la cantidad de alimento se incrementa el tiempo de cocción. Cuando se cocinan cantidades pequeñas de alimento, tales como una o dos papas, no deje el horno desatendido. El contenido de humedad en el alimento puede disminuir y puede resultar un incendio.



Forma

Tamaños uniformes se calentarán más uniformemente. El final delgado de un muslo se cocinará más rápido que un final carnoso. Para compensar las formas irregulares, coloque las partes delgadas hacia el centro del plato y las piezas gruesas hacia la orilla.



Tamaño

Piezas delgadas se cocinan más rápido que piezas gruesas.



Temperatura para Empezar:

Los alimentos que están a temperatura ambiente toman menos tiempo para cocinarse que aquellos que están refrigerados o congelados.



Técnicas para Cocinar

Perforado

Alimentos con piel o membrana deben ser perforados, abiertos o tener abierta una tira de piel antes de cocinar, para permitir que el vapor escape. Perforar las yemas y claras de los huevos enteros, almejas, ostiones, hígados de pollo, papas enteras y vegetales enteros. Las manzanas enteras o las papas sin pelar deben tener una tira de 2,5 cm de piel pelada antes de cocinarse. Perfere salchichas y embutidos.



Dorador

Los alimentos no tendrán la misma apariencia dorada que aquellos que son cocidos convencionalmente o aquellos alimentos que sean cocinados utilizando la característica de dorado. Las carnes y aves pueden ser bañados con salsa para dorar.



La salsa inglesa, salsa de barbacoa o la salsa para dorar con aplicador. Para usarlas combine la salsa para dorar con mantequilla o margarina derretidas; barnícelas antes de cocinarlas. Para dorar panes o panecillos rápidos se puede usar azúcar oscura en la receta en lugar de azúcar granulada y se puede espolvorear la superficie con especias oscuras antes de hornear.

Espaciado

Alimentos individuales, tales como papas cocidas, panecillos y aperitivos, se cocinarán más parejo si se colocan en el horno a distancias iguales. Cuando sea posible, arregle los alimentos en un platón circular.





Técnicas para Cocinar *(continuación)*

Cubierta

Como en la cocina convencional, el vapor se evapora durante la cocción por microondas. Las tapas de las cacerolas o cubiertas de plástico son usadas para sellar ajustadamente. Cuando utilice envoltura plástica, ventile la cubierta plástica doblando parte de la misma de una esquina del plato para permitir que el vapor escape. Suelte o receta para tiempo de reposo. Cuando quite la cubierta plástica así como cualquier tapa de cristal, tenga cuidado de quitarla alejada de usted para evitar quemaduras por vapor. Varios grados de retención de humedad se obtienen también usando papel encerado o toallas de papel. Sin embargo, a menos que se especifique, las recetas se cocinan descubiertas.

Protección

Áreas delgadas de carnes o aves se cocinan más rápido que las porciones carnosas. Para evitar la sobrecocción, estas áreas delgadas pueden ser protegidas con tiras de papel de aluminio. Palillos de dientes de madera pueden ser usados para sostener al aluminio en su lugar.

▲ PRECAUCIÓN se debe tener cuando se utilice papel aluminio. Arcos puede ocurrir si el papel aluminio está muy cerca de las paredes o puerta del horno, puede resultar en daños al horno.

Tiempo de Cocción

Un rango de tiempo de cocción se da en cada receta. El rango de tiempo se compensa por las diferencias incontrolables en las formas de los alimentos, la temperatura al inicio y las preferencias regionales. Siempre cocine los alimentos al tiempo mínimo de cocción dado en la receta y revise su término. Si los alimentos están crudos, continúe cocinando. Es más fácil añadir tiempo a un producto crudo. Una vez que los alimentos están sobrecocinados, nada se puede hacer.

Remover

Remover es necesario normalmente durante la cocción por microondas. Hemos anotado cuando remover es necesario usando las palabras "una vez", "dos veces", "frecuentemente" u "ocasionalmente" para describir la cantidad de veces que es necesario remover.

Reacomodar

Reacomodar piezas pequeñas tales como partes de pollo, camarones, hamburguesas o cortes de puerco. Reacomode las piezas de las orillas al centro y piezas del centro a las orillas del plato.

Voltear

No es posible mezclar algunos alimentos para redistribuir el calor. A veces la energía del microondas se concentrará en un área del alimento. Para asegurar una cocción pareja, estos alimentos necesitan ser volteados. Voltee alimentos grandes, tales como asados o pavos medio giro mientras se cocinan.

Tiempo de Reposo

La mayoría de los alimentos continuarán cocinándose por conducción después de que el horno de microondas se apague; durante la cocción de la carne, la temperatura interna se incrementará de 3 °C a 8 °C si se permite el reposo, cubierto con papel de aluminio de 10 minutos a 15 minutos. Guisados y vegetales necesitan una cantidad menor de tiempo de reposo, pero este tiempo es necesario para permitir a los alimentos completar su cocción en el centro sin sobre cocinarse las orillas.

Prueba de Término

Las mismas pruebas de término usadas en la cocción convencional pueden ser usadas para cocinar con microondas. La carne está lista cuando el tenedor se encaja o desliza entre las fibras. El pollo está listo cuando sus jugos son amarillo claro o el muslo se mueve libremente. Los pescados están listos cuando se separa la carne y está opaco.

Sobre la Seguridad del Alimento y Temperatura de Cocción

- Revisar los alimentos para ver si están cocinados a las temperaturas recomendadas por el Departamento de Agricultura de los Estados Unidos.

TEMPERATURA DE LOS ALIMENTOS

71 °C (160 °F) ...para carne de puerco fresco, carne de res, carne blanca de ave sin huesos, pescado, alimentos de mar, huevos, y alimentos preparados congelados.

74 °C (165 °F) ...para lo demás, listo para recalentar lo refrigerado y deli, y comida fresca para llevar.

77 °C (170 °F) ...carne blanca de ave.

82 °C (180 °F) ...Carne roja de ave.

Para probar que esta hecho, inserte un termómetro de carne en un área espesa o densa, lejos de la grasa o hueso. NUNCA deje el termómetro en la comida durante la cocción, a menos que este sea aprobado para el uso en horno de microondas.



Cuidado y Limpieza de su Horno de Microondas

ANTES DE LIMPIAR:

Desenchufar en la toma mural del horno. En caso de que sea imposible, dejar el horno abierto para impedir que se ponga en marcha de manera accidental.

DESPUÉS DE LIMPIAR:

Asegúrese de que se vuelve a colocar el Aro de Rodillo y Bandeja de Cristal en la posición correcta, después pulsar la tecla **Pausa/Cancelar** para borrar la pantalla.

Interior del horno:

Limpiar con un trapo húmedo. Se puede utilizar un detergente suave si el horno se ensucia mucho. No utilizar detergentes muy fuertes o abrasivos.

Bandeja de cristal:

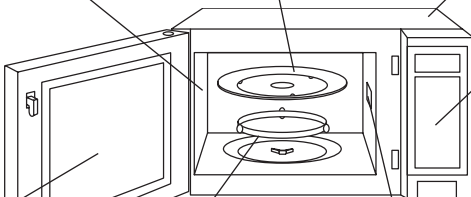
Extraer y lavar con agua jabonosa y tibia o en un lavaplatos.

Las superficies exteriores del horno:

Limpiar con un trapo suave. Para impedir daños en las piezas en operación en el interior del horno, no se debe permitir que el agua entre por las aperturas de ventilación.

Puerta de Horno:

Limpiar con un trapo blando cuando el vapor se acumule en el interior o alrededor del exterior de la puerta del horno. Durante la cocción, especialmente bajo condiciones de mucha humedad, los alimentos expelen vapor. (Parte del vapor se condensará en las superficies más frías, como la puerta del horno. Esto es normal.) La superficie del interior está cubierta con una película que actúa como barrera contra el calor y vapor. No extraer.



Aro de Rodillo y el suelo de la cavidad del horno:

Limpiar la superficie inferior del horno con agua con un detergente suave o un producto de limpieza de ventanas y secar. El aro de Rodillo se puede lavar con agua con un detergente suave o con un producto para la limpieza de ventanas. Estas zonas se deberán mantener limpias para así evitar un ruido excesivo.

Panel de Control:

- * Cubierta con una película extraíble para impedir ralladuras durante el envío. (Consejo - Para extraer la película, aplicar cinta adhesiva transparente o de uso eléctrico en una esquina expuesta y tirar suavemente.)
- * Si el panel de control se humedece, limpiar con un trapo seco y blando. No utilizar detergentes muy fuertes o abrasivos.

No quite la cubierta de la guía de las ondas:

Esta es importante para mantener la cubierta limpia de la misma manera que el interior del Horno.

ES IMPORTANTE MANTENER EL HORNO LIMPIO Y SECO. LOS RESIDUOS Y LA CONDENSACION DE VAPOR DEL ALIMENTO PUEDEN CAUSAR ENMOHECIMIENTO Y / O ACUMULACIONES QUE DANAN EL HORNO. DESPUES DE USARSE EL HORNO LIMPIE CON UN TRAPO SECO TODAS LAS SUPERFICIES INCLUYENDO LAS ABERTURAS DE VENTILACION, HENDIDURAS DEL HORNO, Y DEBAJO DE LA BANDEJA DE CRISTAL.

DESCRIPCIÓN DE LAS PARTES

Instrucciones/Manual de uso (este libro)

Bandeja de Cristal

Aro de Rodillo

NÚMERO DE LAS PARTES

F00036J60AP

F06014W00AP

F06014M00AP

F290D9330AP

(NN-S744)

(NN-S924/S934/S944)

Compra de Accesorios

Compra de piezas, accesorios e instructivos en línea de todos los productos Panasonic visite nuestro Sitio Web en: <http://www.pasc.panasonic.com> o envíe su pedido al E-mail: npcparts@panasonic.com

Usted también puede contactarnos directamente en:

1-800-332-5368 (teléfono) 1-800-237-9080 (fax solamente) (Lunes-Viernes 9 a.m. a 8 p.m.)

Compañía de Servicio Panasonic

20421 84th Avenue South,

Kent, WA 98032

(Aceptamos Visa, Mastercard, Discover Card, American Express y Cheques personales)

Para usuarios de Equipo Teleescritor: 1-866-605-1277



Antes de Acudir a Servicio

Estas cosas son normales:

Mi horno de microondas causa interferencia con mi televisor.

En algunos radios y televisores puede ocurrir interferencia cuando usted cocine con su horno de microondas. Esta interferencia es similar a la interferencia por pequeños aparatos eléctricos como batidoras, aspiradoras, secadoras de aire, esto no indica ningún problema.

Se acumula vapor en la puerta del horno y aire caliente sale de las rejillas de ventilación.

Durante la cocción los alimentos despiden vapor. La mayoría de este vapor es removido por el aire que circula en la cavidad del horno, sin embargo, algo de vapor se condensará en las superficies frías tales como la puerta del horno. Esto es normal. Después de usarse el horno se debe limpiar en seco (ver página 24).

PROBLEMA

POSIBLE CAUSA

ACCIÓN

El horno no se pone en marcha.

El horno no está enchufado

Extraer el enchufe de la toma, esperar 10 segundos y volver a enchufar.

El magneto térmico o el fusible se ha fundido o disparado.

Reiniciar el magnetotérmico o cambiar el fusible.

Existe un problema con la toma eléctrica.

Enchufar otro electrodoméstico en la toma para comprobar si ésta funciona correctamente.

El horno no empieza a cocinar.

La puerta no está cerrada completamente.

Cerrar bien la puerta del horno.

La tecla **Encender** no ha sido presionada.

Presione **Encender**.

Ya se había introducido otro programa en el horno.

Presione **Pausa/Cancelar** para anular el programa anterior e introducir un programa nuevo.

El programa no es correcto.

Programar otra vez de acuerdo con las instrucciones de Operación.

La tecla **Pausa/Cancelar** se presionó accidentalmente.

Programar el horno otra vez.

El plato giratorio tambalea.

El plato giratorio no está colocado correctamente en el Aro del Rodillo o existen alimentos debajo del Aro del Rodillo.

Retire la Bandeja de Cristal y el Aro de Rodillo. Limpie con un paño húmedo y reajuste el Aro de Rodillo y la Bandeja de Cristal correctamente.

Cuando el horno está funcionando, la Bandeja de Cristal produce ruidos.

El(Los) Anillo(s) del Rodillo y el fondo del horno están sucios.

Limpie estas partes de acuerdo al **Cuidado y Limpieza de su Horno de Microondas** (ver página 24)

La palabra "Child" aparece en la ventana de visualización.

El SEGURO DE NIÑOS fue activado al presionar la tecla de **Encender** 3 veces.

Desactivar el SEGURO al presionar la tecla de **Pausa/Cancelar** 3 veces.

GARANTÍA LIMITADA Y DIRECTORIO DE SERVICIOS AL CONSUMIDOR

COMPañÍA ELECTRÓNICA DE CONSUMIDORES PANASONIC,
DIVISION DE MATSUSHITA ELECTRIC CORPORATION DE
ESTADOS UNIDOS DE AMÉRICA
One Panasonic Way
Secaucus, New Jersey 07094, USA

COMPañÍA DE VENTAS PANASONIC,
DIVISION DE MATSUSHITA
ELECTRIC DE PUERTO RICO S.A.,
Ave. 65 de Infantería, Km. 9.5
Parque Industrial San Gabriel
Carolina, Puerto Rico 00985

Garantía Limitada del Horno Microonda Panasonic

Cobertura de la Garantía Limitada

Si su producto no funciona adecuadamente debido a defecto en los materiales o en la fabricación, la Compañía Electrónica de Consumidores Panasonic (Panasonic Consumer Electronics Company) o la Compañía de Ventas Panasonic (Panasonic Sales Company) (referidos colectivamente como "el garante"), por la duración del período que se menciona más abajo, el cual comienza en la fecha de compra original ("período de garantía"), hará uso de dos opciones (a) reparar su producto con partes nuevas o reparadas, o (b) reemplazarlo por un producto nuevo o uno reparado. La decisión de reparar o reemplazar el producto será tomada por el garante.

**TODAS LAS PARTES (EXCEPTO EL TUBO MAGNETRÓN)
TUBO MAGNETRÓN**

PARTES	TRABAJO
1 (UN) AÑO	1 (UN) AÑO
5 (CINCO) AÑOS	1 (UN) AÑO

Durante el período de la garantía de "Trabajo" no habrá cobros por trabajo. Durante el período de la garantía de "Partes" no habrá cobros por las partes. Usted debe llevar o enviar por correo su producto durante el período de garantía. Esta garantía sólo se aplica a productos comprados y pagados en Estados Unidos y Puerto Rico. Esta garantía se extiende sólo al comprador original de un producto nuevo y no a quien lo compre de segunda mano. Para el servicio de garantía se necesita un recibo de compra o alguna otra prueba de la fecha de compra original del producto.

Servicio de Entrega o Envío por Correo

Para el Servicio de Entrega o Envío por Correo en Estados Unidos, por favor llame al 1-800-211-PANA(7262) o visite nuestro Sitio Web Panasonic: <http://www.panasonic.com>

Para asistencia en Puerto Rico llame a la Compañía de Ventas Panasonic (Panasonic Sales Company) al (787)-750-4300 o al fax (787)-768-2910.

Garantía Limitada, Límites y Exclusiones

Esta garantía SÓLO CUBRE fallas debido a defectos en los materiales o en la fabricación y NO CUBRE vidrios, partes plásticas, o algún tipo de termómetro (si es que está incluido), deterioros o rasguños normales o daños cosméticos. La garantía TAMPOCO CUBRE daños producidos por el transporte o fallas causadas por productos no proporcionados por el garante, o fallas que hayan sido el resultado de accidentes, mal uso, abuso, negligencia, mal embalaje, mala aplicación, alteración, instalación defectuosa, ajustes de montaje, mal ajuste del control del consumidor, mantenimiento inapropiado, sobretensión en la línea de conducción eléctrica, daños en la iluminación, modificaciones, o uso comercial (por ejemplo en un hotel, oficina, restaurant u otros usos comerciales), arriendo del producto, reparado por cualquier otro servicio que no sea el Servicio Técnico de la Fábrica o algún Servicio Técnico Autorizado, o cualquier daño que se le atribuya a la mano de Dios. **NO EXISTEN GARANTÍAS ESCRITAS EXCEPTO LAS QUE SE ENUMERAN MÁS ABAJO COMO "COBERTURA DE GARANTÍA LIMITADA". EL GARANTE NO SE HACE RESPONSABLE POR DAÑOS FORTUITOS O IMPORTANTES QUE SE PRODUZCAN POR EL USO DE ESTE PRODUCTO O DEBIDO A CUALQUIER VIOLACION DE ESTA GARANTÍA.** (por ejemplo, esto excluye daños por pérdida de tiempo, el costo que tiene si se necesita que alguien remueva o reinstale el aparato, o los viajes desde y al servicio técnico. Los puntos mencionados no son sólo los únicos, se mencionan a modo de explicación.) **TODAS LAS GARANTÍAS ESCRITAS E IMPLÍCITAS, INCLUIDAS LAS GARANTÍAS DE COMERCIALIZACIÓN, SON LIMITADAS, SEGÚN EL PERIODO DE LA GARANTÍA LIMITADA.** Algunos estados no permiten la exclusión o restricción de daños importantes o fortuitos, o restricciones sobre cuanto tiempo dura una garantía implícita, de esa forma las exclusiones no se aplicarían a usted. Esta garantía le da derechos legales específicos y usted puede tener también otros derechos que varíen de un estado a otro. Si un problema con este producto sucede durante o después del período de garantía, usted puede contactarse con su distribuidor o con el Servicio Técnico. Si el problema no es solucionado a su satisfacción, entonces usted puede escribir al Departamento de Asuntos del Consumidor del Garante a la dirección que se menciona para el garante.

LAS PARTES Y SERVICIOS QUE LA GARANTÍA LIMITADA NO CUBRE, SON DE SU RESPONSABILIDAD.

Directorio de Servicio a Cliente

Para obtener información de producto y asistencia de funcionamiento; Localizar a su Distribuidor o Centro de Servicio más cercano; comprar piezas y accesorios; o hacer pedidos en Servicio a Cliente, visite nuestro Sitio Web en: <http://www.panasonic.com/support> o, contáctenos en: <http://www.panasonic.com/contactinfo>


























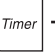
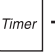




Usted puede también contactarnos directamente al: **1-800-211-PANA(7262)**,
Lunes-Viernes 9 am-9 pm; Sábado-Domingo 10 am-7 pm.

Para usuarios de Equipo Teleescritor: 1-877-833-8855

Servicio en Puerto Rico

Matsushita Electric de Puerto Rico, Compañía de Ventas Centro de Servicio de Fábrica:
Avenida. 65 de Infantería, kilómetro. 9.5, Parque Industrial de San Gabriel, Carolina, Puerto Rico 00985
TEL. (787)750-4300, Fax (787)768-2910

GUÍA RÁPIDA DE OPERACIÓN

Característica	Como Operarla
Para Poner el Reloj en la Hora (☛ página 10)	 → <input type="text" value="0"/> a <input type="text" value="9"/> →  Presione 1 vez. Registre la hora. Presione 1 vez.
Para Ajuste de Potencia y Tiempo (☛ página 11)	 → <input type="text" value="0"/> a <input type="text" value="9"/> →  Seleccione potencia. Establezca el tiempo de cocción. Presione.
Para utilizar Candado de Seguridad de Niños (☛ página 10)	Para Seleccionar:  Presione 3 veces. Para cancelar:  Presione 3 veces.
Para Cocinar usando la tecla de Palomitas (☛ página 12)	para NN-S744/S924/S944  →  o <input type="text" value="More"/> o <input type="text" value="Less"/> →  Registre el peso del paquete. Opcional. Presione.
Minuto Automático (☛ página 11)	 →  (hasta 10) Presione.
Para Recalentamiento usando la tecla Recalentamiento de automático (☛ página 16)	para NN-S744/S924/S944  →  o <input type="text" value="More"/> o <input type="text" value="Less"/> →  Presione para seleccionar los servicios. Opcional. Presione.
Para Cocinar usando Teclas de auto cocción (☛ página 16)	para NN-S744/S924/S944  →  →  →  Seleccione categoría. Seleccione Porciones/Peso. Opcional. Presione.
	para NN-S934  →  → <input type="text" value="More"/> o <input type="text" value="Less"/> →  Seleccione categoría. Seleccione Porciones/Peso. Opcional. Presione.
Para Descongelar usando la tecla Descongelación Turbo Inverter (☛ página 14)	 → <input type="text" value="0"/> a <input type="text" value="9"/> →  Press once. Fije el peso. Presione.
Para Usar como temporizador de cocina (☛ página 19)	 → <input type="text" value="0"/> a <input type="text" value="9"/> →  Presione 1 vez. Introducir hora. Presione.
Para Establecer el tiempo de Permanencia (☛ página 19)	 (Registre el programa de Cocción deseado.) →  → <input type="text" value="0"/> a <input type="text" value="9"/> →  Presione 1 vez. Introducir hora. Presione.
Para Establecer Inicio de Efecto Retardado (☛ página 19)	 → <input type="text" value="0"/> a <input type="text" value="9"/> →  (Registre el programa de Cocción deseado.) →  Presione 1 vez. Introducir hora. Presione.



Especificaciones

	S744	S924	S934	S944
Fuente de Energía:	120 V, 60 Hz			
Potencia Fuente de Poder:	12,7 A, 1 460 W			
Potencia de Cocción:*	1 200 W			1 250 W
Dimensiones Exteriores (Alto x Ancho x Fondo):	304 mm x 555 mm x 493 mm (11 ¹⁵ / ₁₆ " x 21 ⁷ / ₈ " x 19 ⁷ / ₁₆ "	356 mm x 606 mm x 493 mm (14" x 23 ⁷ / ₈ " x 19 ⁷ / ₁₆ "		
Dimensiones Cavity del Horno (Alto x Ancho x Fondo):	228 mm x 418 mm x 470 mm (9" x 16 ⁷ / ₁₆ " x 18 ¹ / ₂ "	278 mm x 469 mm x 470 mm (10 ¹⁵ / ₁₆ " x 18 ⁷ / ₁₆ " x 18 ¹ / ₂ "		
Frecuencia:	2 450 MHz			
Peso Neto:	Aprox. 14,3 kg (32 lb)	Aprox. 16,4 kg (36 lb)		

*Determinado de acuerdo a procedimientos contemplados en la norma IEC.
Las especificaciones están sujetas a cambios sin previo aviso.

Registro de Usuario

El número de serie de este producto puede ser encontrado en la parte de atrás de la cubierta. Usted deberá anotar el número de modelo y número de serie de este horno en el espacio indicado y guardar este libro como un registro permanente de su compra para futuras referencias.

Número de modelo: _____

Número de serie: _____

Fecha de Compra: _____

**Compañía Electrónica de Consumidores
Panasonic, División de Matsushita
Electric Corporation de Estados Unidos
de América**

One Panasonic Way
Secaucus, New Jersey 07094, USA

**Compañía de Ventas Panasonic,
División de Matsushita Electric de
Puerto Rico, S.A.**

Ave. 65 de Infantería, Km. 9.5
Parque Industrial San Gabriel
Carolina, Puerto Rico 00985

Matsushita Electric Industrial Co., Ltd.

Shanghai Matsushita Microwave Oven Co., Ltd.

Av. Long Dong No. 898, Pu Dong, Shanghai, China 201203

Página web: <http://www.panasonic.co.jp/global>